

# Measurement Guide

for Andersen® 400 Series Custom-Size Casement Bow/Bay/Box Windows

**Thank you for choosing Andersen.**

For questions call 1-888-888-7020 Monday - Friday, 7 a.m. to 7 p.m. and Saturday, 8 a.m. to 4 p.m. central time. For more information and/or guides visit [andersenwindows.com](http://andersenwindows.com).

- ▶ Read this measurement guide from beginning to end before beginning. Read all warnings and cautions during unit installation.
- ▶ Read and follow product installation guide for installation instructions.

## ⚠ WARNING

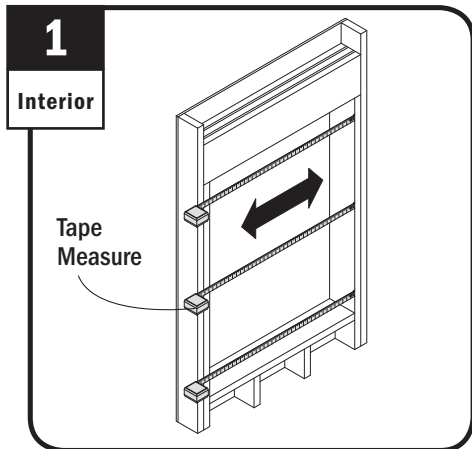
Proper support of projecting bow and bay windows is required, see installation guidelines. Failure to do so may result in injury and/or product/property damage.

## Before Measuring:

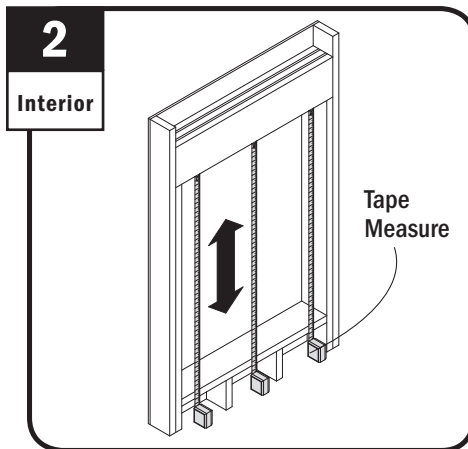
- ▶ Be sure rough opening is sound and suitable for window installation.
- ▶ Existing opening must be plumb, level and square. If not, adjustments must be made to window size when ordering.

## Measuring Information:

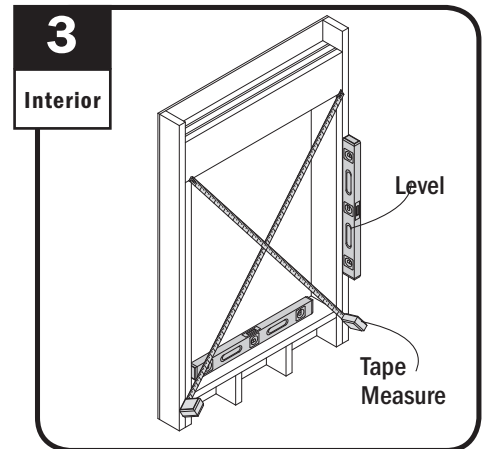
- ▶ Record measurements on "Measurement Worksheet". (Allow for use of building wraps, flashing, sill panning, brackets, fasteners or other items).
- ▶ Describe window locations clearly. Record measurements (round down to nearest 1/8").
- ▶ Measure each rough opening even if they appear the same size.



Measure rough opening width at bottom, middle, and top. Record smallest width on worksheet (round down to nearest 1/8").



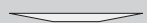

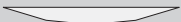

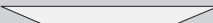

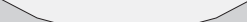

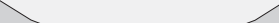

Measure rough opening height at sides and middle. Record smallest height on worksheet (round down to nearest 1/8").



Check plumb, level, square. Diagonals must be within 1/8".

## Custom Casement 10° Bow Window Size and Projection Range

Custom casement bay, box and bow windows are available in 1/8" increments between minimum and maximum width and height dimensions.

Window Configuration	Center Window Venting Configuration	Window Dimension					Projection	
		Minimum Width Inches	Maximum Width Inches	X	Minimum Height Inches	Maximum Height Inches	Minimum Depth Inches	Maximum Depth Inches
3 Wide 	Venting or Stationary 	52 1/2"	108 7/8"	X	26 1/8"	73 7/8"	4 3/8"	7 5/8"
4 Wide 	Venting or Stationary 	69 1/2"	143 7/8"	X	26 1/8"	73 7/8"	7 3/8"	13 7/8"
5 Wide 	Venting or Stationary 	85 1/8"	164 1/4"	X	26 1/8"	73 7/8"	10 3/8"	18 5/8"
6 Wide 	Venting or Stationary 	101 5/8"	164 1/4"	X	26 1/8"	73 7/8"	14 7/8"	23 3/16"
7 Wide 	Venting or Stationary 	116 5/8"	164 1/4"	X	26 1/8"	73 7/8"	19 3/16"	26 3/8"

- ▶ Common venting configurations are shown; choose left venting, right venting or stationary.
- ▶ For 30° & 45° Bay and 90° Box Bay Window size and projection range tables, see page 2 on back side.

Custom casement bay, box and bow windows are available in 1/8" increments between minimum and maximum width and height dimensions.



### Custom Casement 30° Angle Bay Window Size and Projection Range

Sash Ratio Window Configuration	Center Window Venting Configuration	Window Dimension				Projection		
		Minimum Width Inches	Maximum Width Inches	Minimum Height Inches	Maximum Height Inches	Minimum Inches	Maximum Inches	
1:1:1 	Venting or Stationary 	50"	101 1/2"	X	26 1/8"	73 7/8"	10 1/4"	19 5/8"
1:2:1 	Venting or Stationary 	67 3/8"	137 1/2"	X	26 1/8"	73 7/8"	10 1/4"	19 5/8"
1:2:1 	Picture 	70 7/8"	115 1/4"	X	38"	73 7/8"	10 3/4"	16 5/8"
		115 1/4"	137 5/8"	X	38"	61 7/8"	16 5/8"	19 5/8"
1:3:1 	Venting or Stationary 	84 1/2"	144"	X	26 1/8"	73 7/8"	10 1/4"	16 1/2"
1:3:1 	Picture 	83 7/8"	97 7/8"	X	38"	73 7/8"	10 1/4"	11 5/8"
		97 7/8"	116 7/8"	X	38"	61 7/8"	11 5/8"	13 5/8"

### Custom Casement 45° Angle Bay Window Size and Projection Range

Sash Ratio Window Configuration	Center Window Venting Configuration	Window Dimension				Projection		
		Minimum Width Inches	Maximum Width Inches	Minimum Height Inches	Maximum Height Inches	Minimum Inches	Maximum Inches	
1:1:1 	Venting or Stationary 	45 3/4"	91 1/4"	X	26 1/8"	73 7/8"	14 3/16"	27 1/2"
1:2:1 	Venting or Stationary 	63"	127 1/4"	X	26 1/8"	73 7/8"	14 1/4"	27 1/2"
1:2:1 	Picture 	66"	106 7/8"	X	38"	73 7/8"	14 7/8"	23 1/4"
		106 7/8"	127 1/4"	X	38"	61 7/8"	23 1/4"	27 1/2"
1:3:1 	Venting or Stationary 	80 1/8"	144"	X	26 1/8"	73 7/8"	14 1/4"	24 5/16"
1:3:1 	Picture 	79 5/8"	92 3/4"	X	38"	73 7/8"	14 3/16"	16 1/4"
		92 3/4"	110 3/8"	X	38"	61 7/8"	16 1/4"	19"

### Custom Casement 90° Box Bay Window Size and Projection Range

Window Configuration	Center Window Venting Configuration	Window Dimension				Flanker		Projection		
		Minimum Width Inches	Maximum Width Inches	Minimum Height Inches	Maximum Height Inches	Minimum Width Inches	Maximum Width Inches	Minimum Depth Inches	Maximum Depth Inches	
	Picture 	38 1/4"	61 7/8"	X	38"	73 7/8"	17"	35 7/8"	21 1/2"	40 3/8"
	Picture 	61 7/8"	74 1/8"	X	38"	61 7/8"	17"	35 7/8"	21 1/2"	40 3/8"
	Venting or Stationary 	36 3/8"	74 1/4"	X	26 1/8"	73 7/8"	17"	35 7/8"	21 1/2"	40 3/8"
	Picture 	53 1/2"	110 3/8"	X	26 1/8"	73 7/8"	17"	35 7/8"	21 1/2"	40 3/8"

► Common venting configurations are shown; choose left venting, right venting, stationary or picture window.

# Measurement Worksheet

for Andersen® 400 Series Custom-Size Casement Bow/Bay/Box Windows

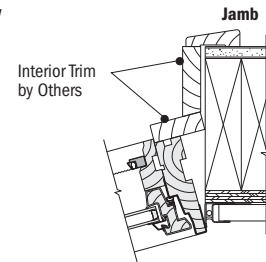
Customer

NAME _____	PHONE _____
ADDRESS _____	E-MAIL _____
CITY/STATE/ZIP _____	ORDER DATE _____

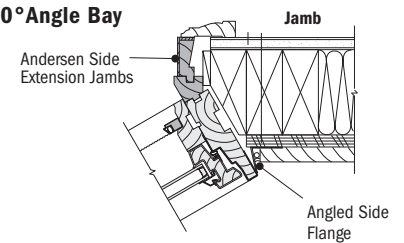
<b>Window Location</b>	example: bathroom, _____		<b>Window #</b>	_____ of _____	
<b>Rough Opening</b> <small>(see size tables on back cover)</small>	<b>STEP 1</b> Rough opening width (round down to nearest 1/8") _____ x <small>(width)</small>	<b>STEP 2</b> Rough opening height (round down to nearest 1/8") _____ x <small>(height)</small>	<b>Projection Requirements</b> <input type="radio"/> yes <input type="radio"/> no _____ <small>(projection requirement)</small>		
<b>Window Style &amp; Operation</b>	<input type="radio"/> 10° bow 	<input type="radio"/> 30° bay  <input type="radio"/> 45° bay 	<input type="radio"/> 90° box bay 		
<b>Color &amp; Finish</b>	<b>exterior</b> <input type="radio"/> white <input type="radio"/> Terratone® <input type="radio"/> sandtone <input type="radio"/> forest green		<b>interior</b> <input type="radio"/> white - painted <input type="radio"/> clear pine <input type="radio"/> white - vinyl wrapped		
<b>Glass Options</b>	<input type="radio"/> non-tempered <input type="radio"/> tempered <input type="radio"/> Low-E4® glass <input type="radio"/> Low-E4® SmartSun™ glass <input type="radio"/> Low-E4® Sun glass		<input type="radio"/> Stormwatch® Impact Resistant Glass <input type="radio"/> Low-E4® glass <input type="radio"/> Low-E4® SmartSun™ glass <input type="radio"/> Monolithic		
<b>Grille Style &amp; Size</b>	<b>Divided Light</b>  <input type="radio"/> with spacer <input type="radio"/> no spacer <input type="radio"/> no spacer, removable interior		<b>removable</b>  <input type="radio"/> removable interior only	<b>Finelight™</b>  <input type="radio"/> between glass	<input type="radio"/> no grille
	<b>grille width</b> <input type="radio"/> 3/4" <input type="radio"/> 7/8" <input type="radio"/> 1-1/8" <small>(standard)</small>				
<b>Grille Pattern</b>	<input type="radio"/> specified light sketch pattern 				
	<input type="radio"/> prairie A 		<input type="radio"/> custom sketch pattern 		
<b>Extension Jamb</b>	<input type="radio"/> 4-9/16" <input type="radio"/> 6-9/16" <input type="radio"/> 5-1/4" <input type="radio"/> 7-1/8"    _____ <small>(wall depth)</small>		<input type="radio"/> clear pine <input type="radio"/> pre-finished white		
<b>Head/Seat Board</b>	<input type="radio"/> 4-9/16" <input type="radio"/> 6-9/16" <input type="radio"/> 5-1/4" <input type="radio"/> 7-1/8"    _____ <small>(wall depth)</small>		<input type="radio"/> clear pine <input type="radio"/> maple <input type="radio"/> pre-finished white <input type="radio"/> oak		
<b>Insect Screens</b>	<b>TruScene®</b> <input type="radio"/> white <input type="radio"/> stone <input type="radio"/> wood		<b>conventional</b> <input type="radio"/> white <input type="radio"/> stone		
<b>Hardware</b>	<b>Estate™</b> <input type="radio"/> antique brass <input type="radio"/> polished chrome <input type="radio"/> bright brass <input type="radio"/> brushed chrome <input type="radio"/> oil rubbed bronze <input type="radio"/> satin nickel <input type="radio"/> distressed bronze <input type="radio"/> distressed nickel	<b>traditional</b> <input type="radio"/> white <input type="radio"/> stone <input type="radio"/> gold dust <input type="radio"/> black <input type="radio"/> bright brass <input type="radio"/> antique brass <input type="radio"/> oil rubbed bronze <input type="radio"/> satin nickel <input type="radio"/> distressed bronze	<b>folding</b> <b>contemporary</b> <input type="radio"/> white <input type="radio"/> stone <input type="radio"/> bright brass <input type="radio"/> oil rubbed bronze <input type="radio"/> satin nickel <input type="radio"/> gold dust <input type="radio"/> black	<b>classic</b> <input type="radio"/> white <input type="radio"/> stone	

## Horizontal Sections

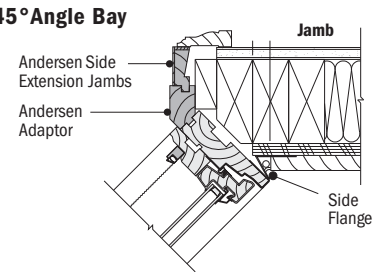
### 10° Bow



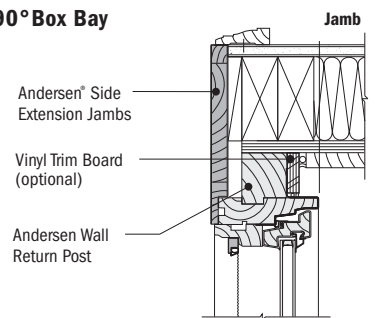
### 30° Angle Bay



### 45° Angle Bay



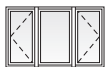
### 90° Box Bay



► **Sketch venting configurations**

example venting configuration:

► **Sketch grille pattern**




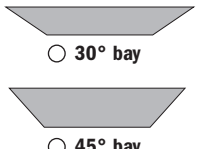
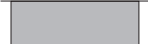

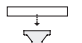
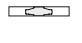
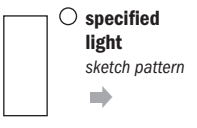


left/stationary/right

# Measurement Worksheet

for Andersen® 400 Series Custom-Size Casement Bow/Bay/Box Windows

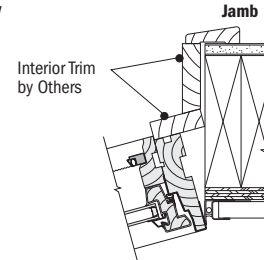
Customer

NAME _____	PHONE _____
ADDRESS _____	E-MAIL _____
CITY/STATE/ZIP _____	ORDER DATE _____

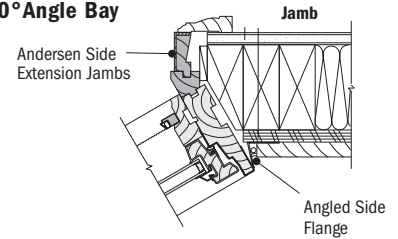
<b>Window Location</b>	example: bathroom, _____		<b>Window #</b>	_____ of _____	
<b>Rough Opening</b> <small>(see size tables on back cover)</small>	<b>STEP 1</b> Rough opening width (round down to nearest 1/8") _____ x <small>(width)</small>	<b>STEP 2</b> Rough opening height (round down to nearest 1/8") _____ <small>(height)</small>	<b>Projection Requirements</b> <input type="radio"/> yes <input type="radio"/> no _____ <small>(projection requirement)</small>		
<b>Window Style &amp; Operation</b>	<input type="radio"/> 10° bow 	<input type="radio"/> 30° bay <input type="radio"/> 45° bay 	<input type="radio"/> 90° box bay 		
<b>Color &amp; Finish</b>	<b>exterior</b> <input type="radio"/> white <input type="radio"/> Terratone® <input type="radio"/> sandtone <input type="radio"/> forest green		<b>interior</b> <input type="radio"/> white - painted <input type="radio"/> clear pine <input type="radio"/> white - vinyl wrapped		
<b>Glass Options</b>	<input type="radio"/> non-tempered <input type="radio"/> tempered <input type="radio"/> Low-E4® glass <input type="radio"/> Low-E4® SmartSun™ glass <input type="radio"/> Low-E4® Sun glass		<input type="radio"/> Stormwatch® Impact Resistant Glass <input type="radio"/> Low-E4® glass <input type="radio"/> Low-E4® SmartSun™ glass <input type="radio"/> Monolithic		
<b>Grille Style &amp; Size</b>	<b>Divided Light</b>  <input type="radio"/> with spacer <input type="radio"/> no spacer <input type="radio"/> no spacer, removable interior		<b>removable</b>  <input type="radio"/> removable interior only	<b>Finelight™</b>  <input type="radio"/> between glass	<input type="radio"/> no grille
	<b>grille width</b> <input type="radio"/> 3/4" (standard) <input type="radio"/> 7/8" <input type="radio"/> 1-1/8"				
<b>Grille Pattern</b>	<input type="radio"/> specified light sketch pattern 		<input type="radio"/> prairie A 		
	<input type="radio"/> custom sketch pattern 		<input type="radio"/> none		
<b>Extension Jamb</b>	<input type="radio"/> 4-9/16" <input type="radio"/> 6-9/16" <input type="radio"/> 5-1/4" <input type="radio"/> 7-1/8"    _____ <small>(wall depth)</small>		<input type="radio"/> clear pine <input type="radio"/> pre-finished white		
<b>Head/Seat Board</b>	<input type="radio"/> 4-9/16" <input type="radio"/> 6-9/16" <input type="radio"/> 5-1/4" <input type="radio"/> 7-1/8"    _____ <small>(wall depth)</small>		<input type="radio"/> clear pine <input type="radio"/> maple <input type="radio"/> pre-finished white <input type="radio"/> oak		
<b>Insect Screens</b>	<b>TruScene®</b> <input type="radio"/> white <input type="radio"/> stone <input type="radio"/> wood		<b>conventional</b> <input type="radio"/> white <input type="radio"/> stone		
<b>Hardware</b>	<b>Estate™</b> <input type="radio"/> antique brass <input type="radio"/> polished chrome <input type="radio"/> bright brass <input type="radio"/> brushed chrome <input type="radio"/> oil rubbed bronze <input type="radio"/> satin nickel <input type="radio"/> distressed bronze <input type="radio"/> distressed nickel	<b>folding</b> <b>traditional</b> <input type="radio"/> white <input type="radio"/> stone <input type="radio"/> gold dust <input type="radio"/> black <input type="radio"/> bright brass <input type="radio"/> antique brass <input type="radio"/> oil rubbed bronze <input type="radio"/> satin nickel <input type="radio"/> distressed bronze	<b>contemporary</b> <input type="radio"/> white <input type="radio"/> stone <input type="radio"/> bright brass <input type="radio"/> oil rubbed bronze <input type="radio"/> satin nickel <input type="radio"/> gold dust <input type="radio"/> black	<b>classic</b> <input type="radio"/> white <input type="radio"/> stone	

## Horizontal Sections

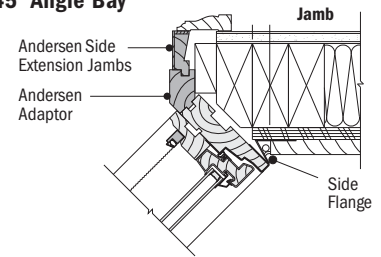
### 10° Bow



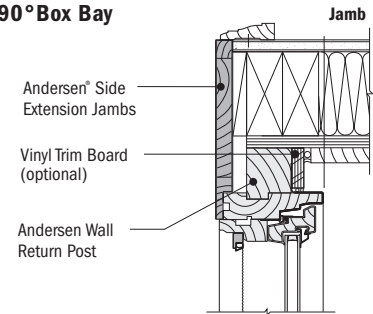
### 30° Angle Bay



### 45° Angle Bay



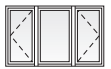
### 90° Box Bay



### ▶ Sketch venting configurations

example venting configuration:

### ▶ Sketch grille pattern



left/stationary/right