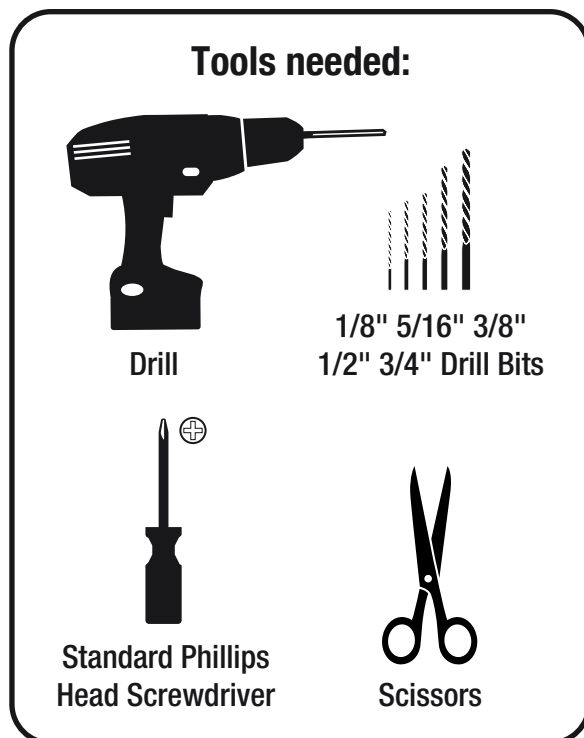


Assure Lock for Andersen® Patio and Entry Doors Installation and Programming Instructions

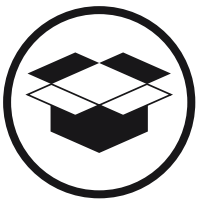
This manual will walk you through all the required steps to add your new Yale Assure Lock for Andersen patio and entry doors.

Yale Assure Lock is not fully functional on Andersen 200 and 400 Series hinged patio doors. The patio door hookbolts must be manually locked before the Yale Assure lock can lock the patio door's deadbolt.

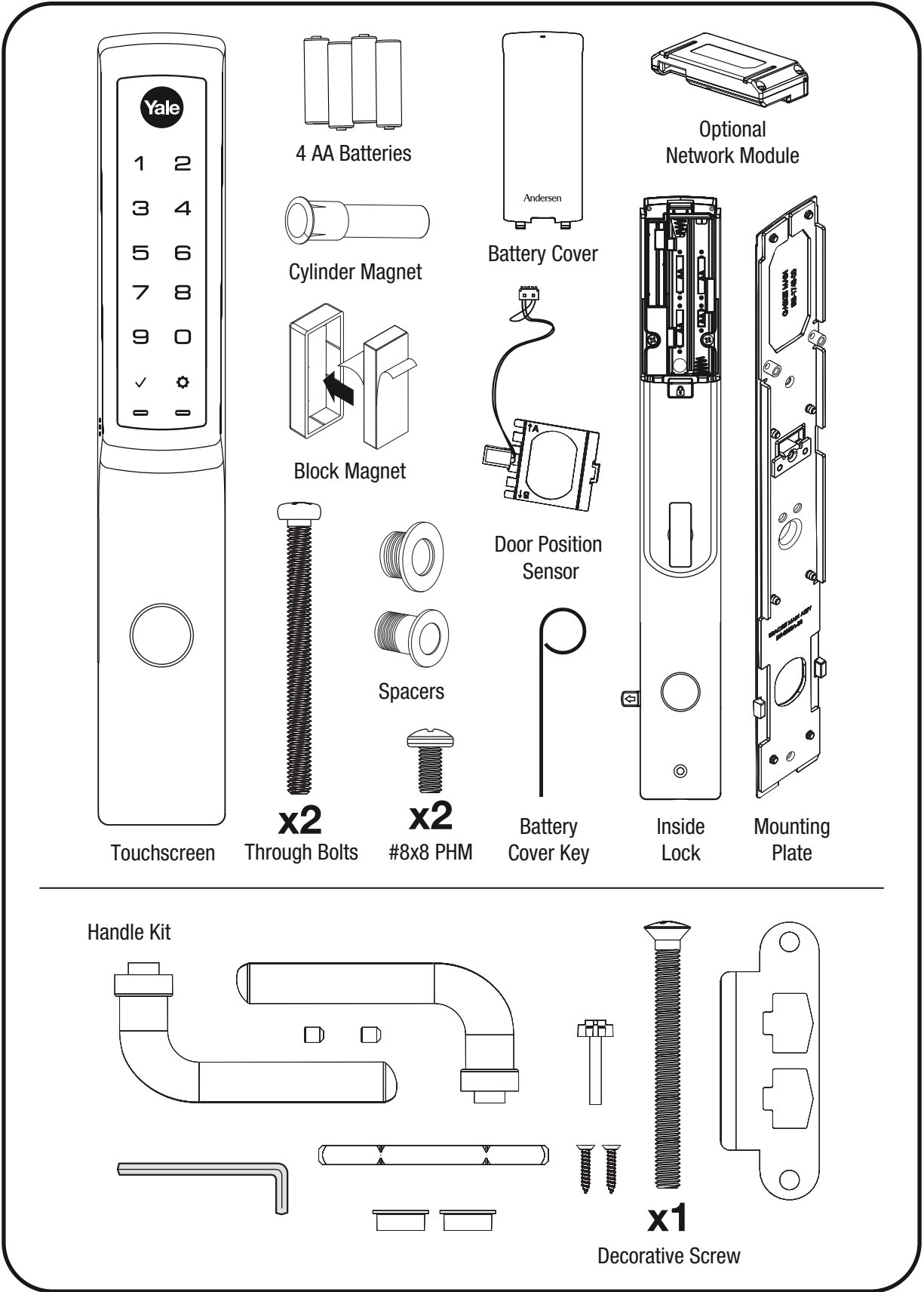
- Remove Existing Door Hardware
- Prepping your Door
- Install your Assure Lock
- Program your Assure Lock
- Add your Assure Lock to your smart home system or August App



FAILURE TO FOLLOW THESE INSTRUCTIONS COULD RESULT IN DAMAGE TO THE LOCK

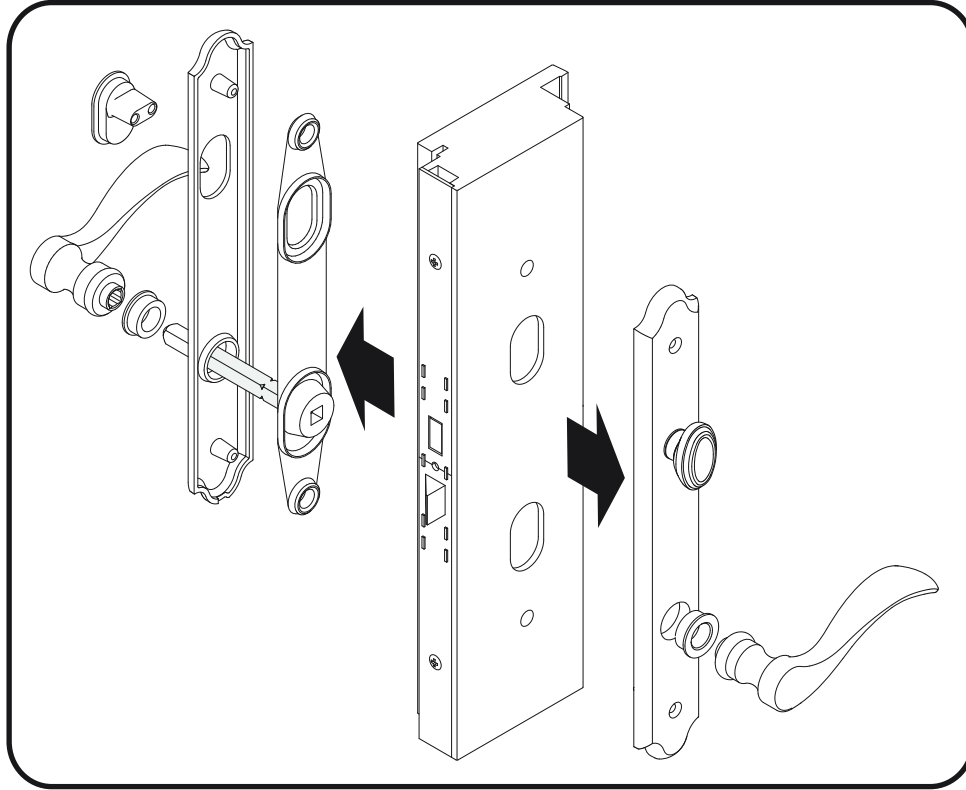


What's In The Box



1

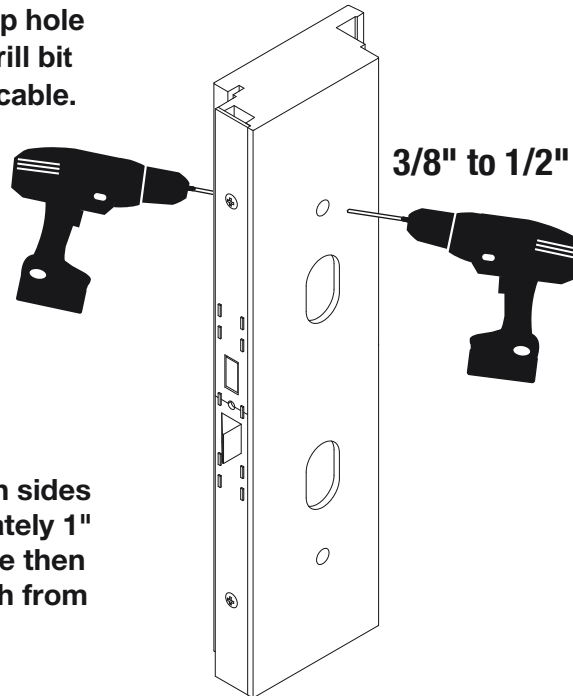
Remove Existing Hardware If Any



2

Prepping Door

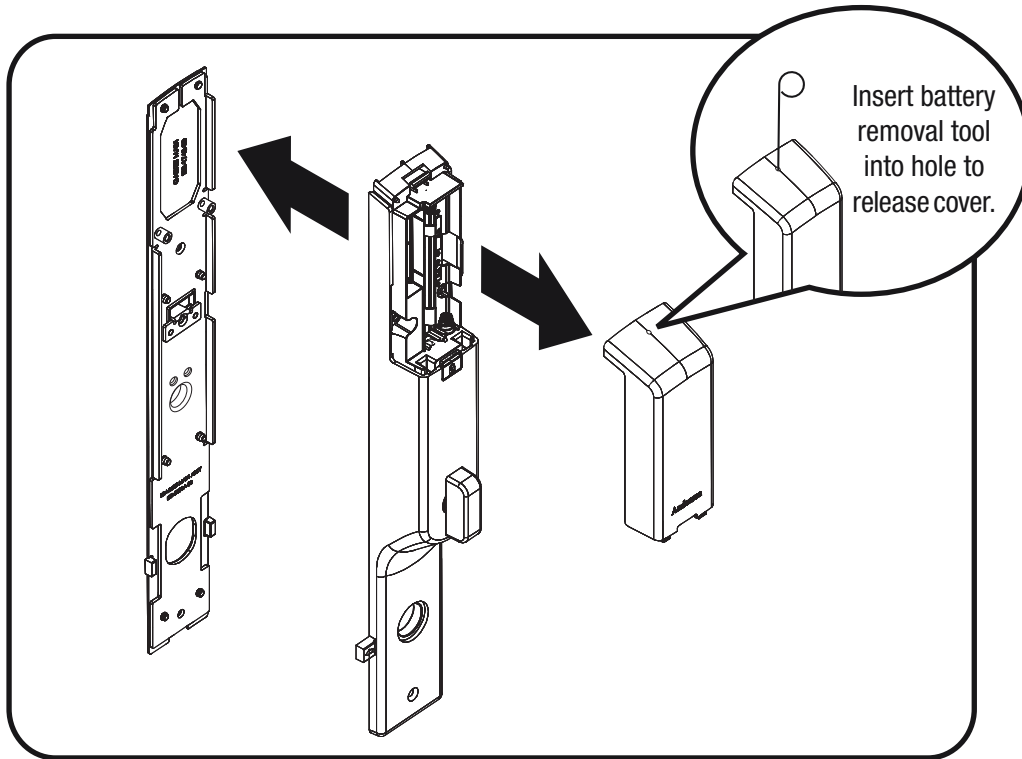
Enlarge existing top hole with 3/8" to 1/2" drill bit to accommodate cable.



Drill hole from both sides of door; approximately 1" deep from one side then completely through from other side.

3

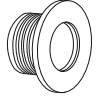
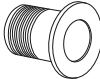
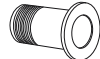
Preparing Inside Lock



4

Selecting Correct Spacer

A spacer may be required to correctly install lock. There are three (3) options in your lock kit. See chart to select the correct spacer for your application.

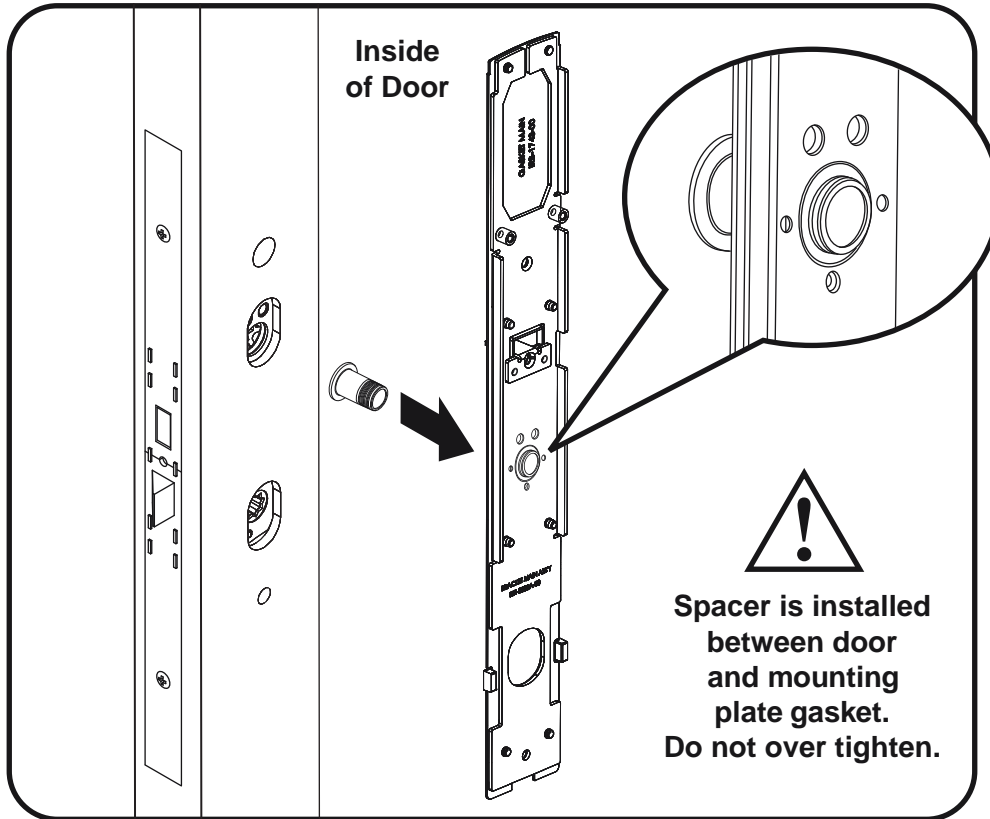
Door Type	Spacer Color	Spacer
A-Series - Outswing Only	N/A	None
A-Series Inswing. E-Series 1.75" In and Outswing E-Series 2.25" Inswing 400 Series 1.75" Inswing	Black	
200 Series 1.75" All E-Series - 2.25" Outswing Only	White	
E-Series - Architect Entrance Door and Folding Doors Sold Separately. (Provided when ordering thick door kit part number AYRM-270-TDK.)	Gray	

Look for product ID sticker on door. Consult Andersen for assistance.

5

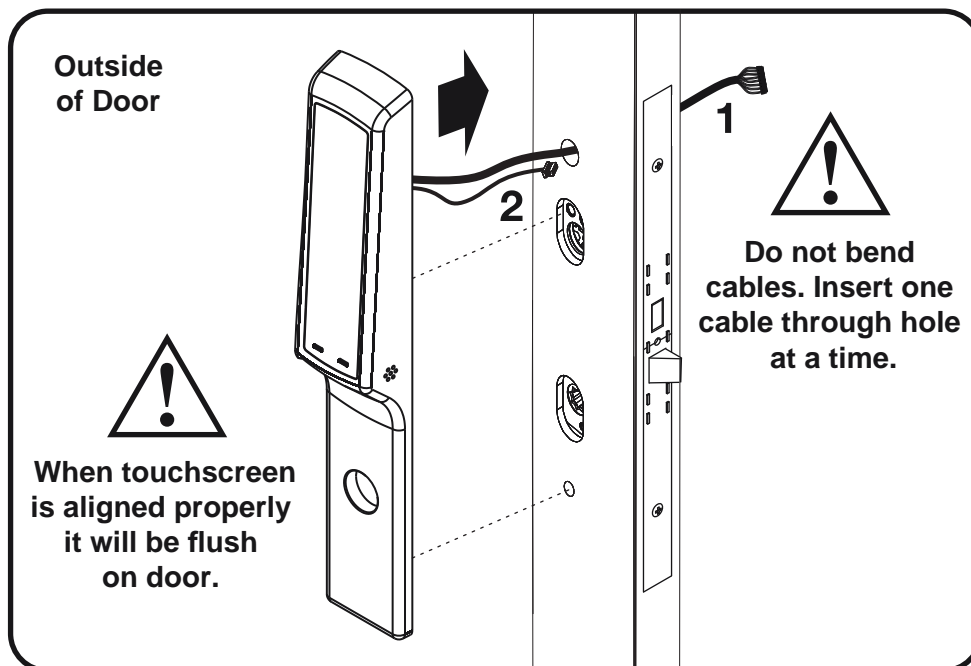
Spacer Installation

Insert spacer into hole. Push spacer in for one click.
As you continue installing lock, the spacer will tightened to required position.



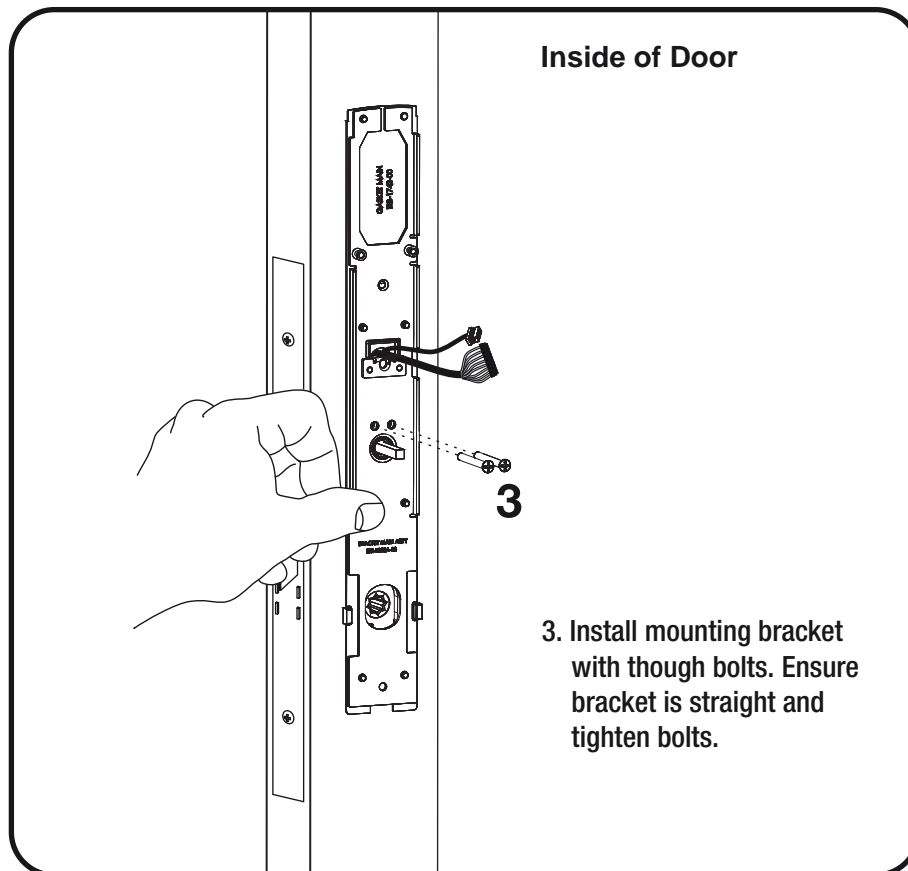
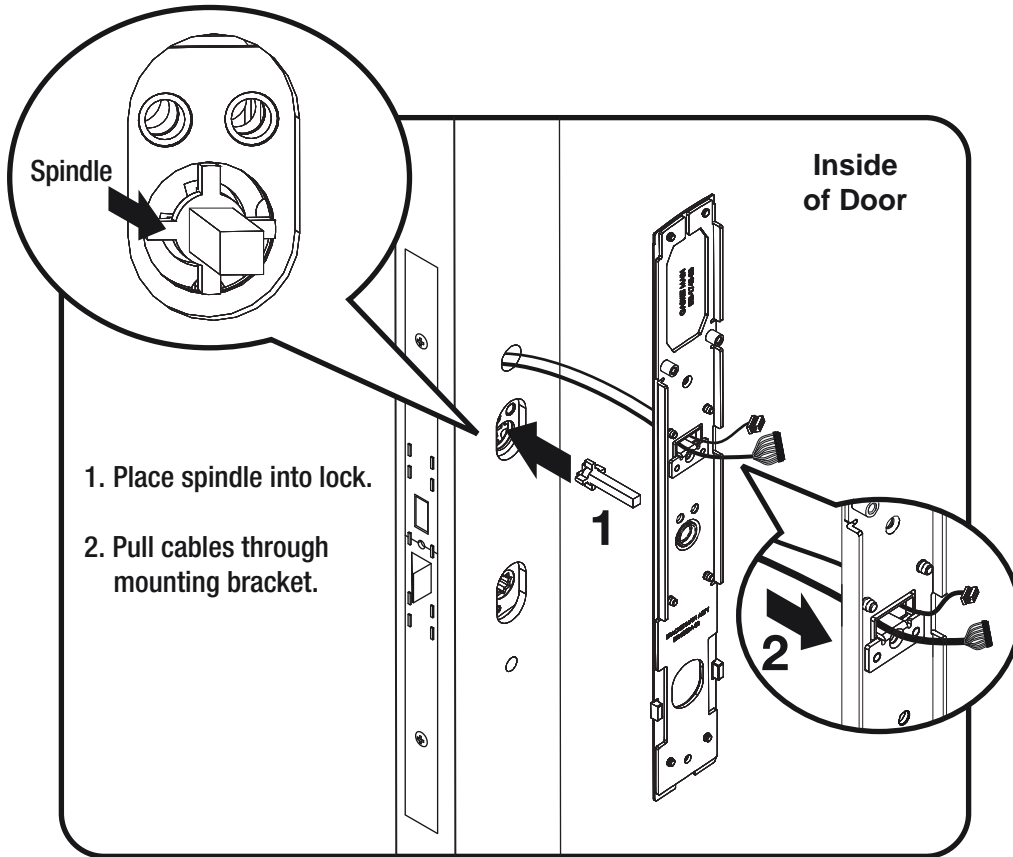
6

Installing Touchscreen



7

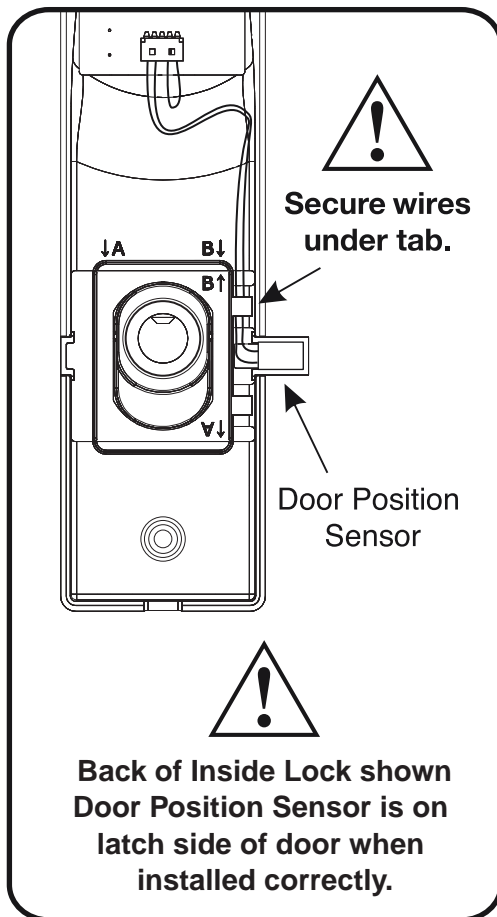
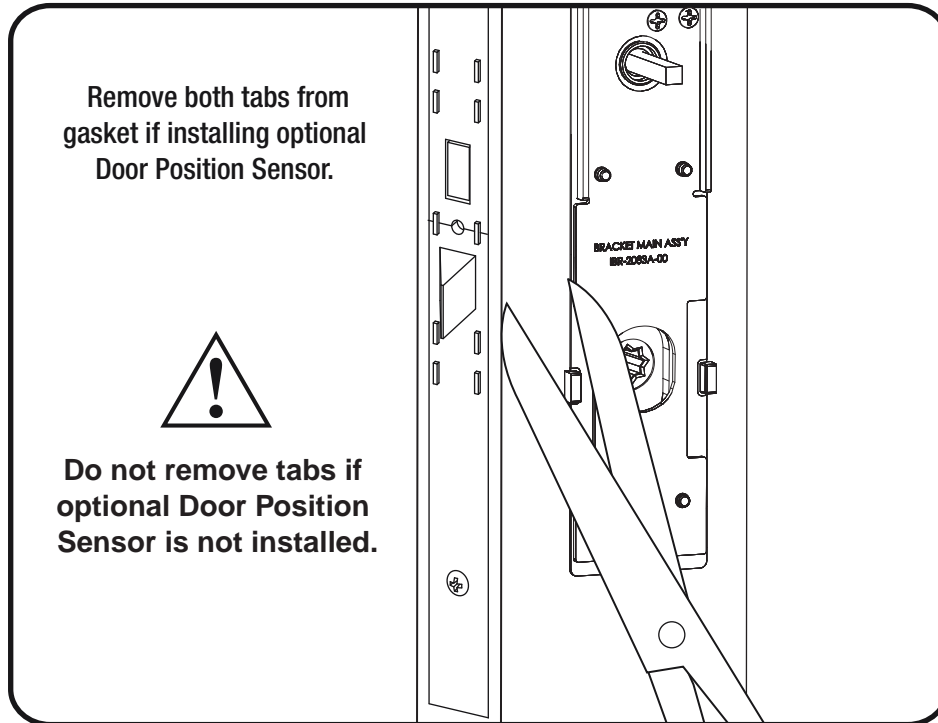
Installing Inside Mounting Plate



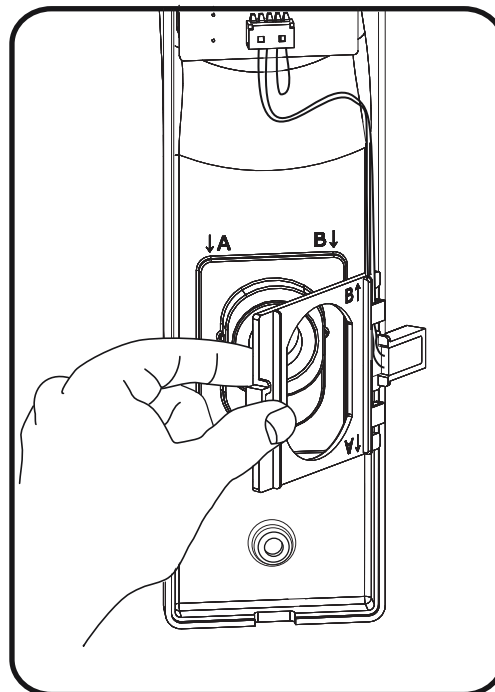
8

Installing Optional Door Position Sensor

This step is optional and only needed when using Door Position Sensor.

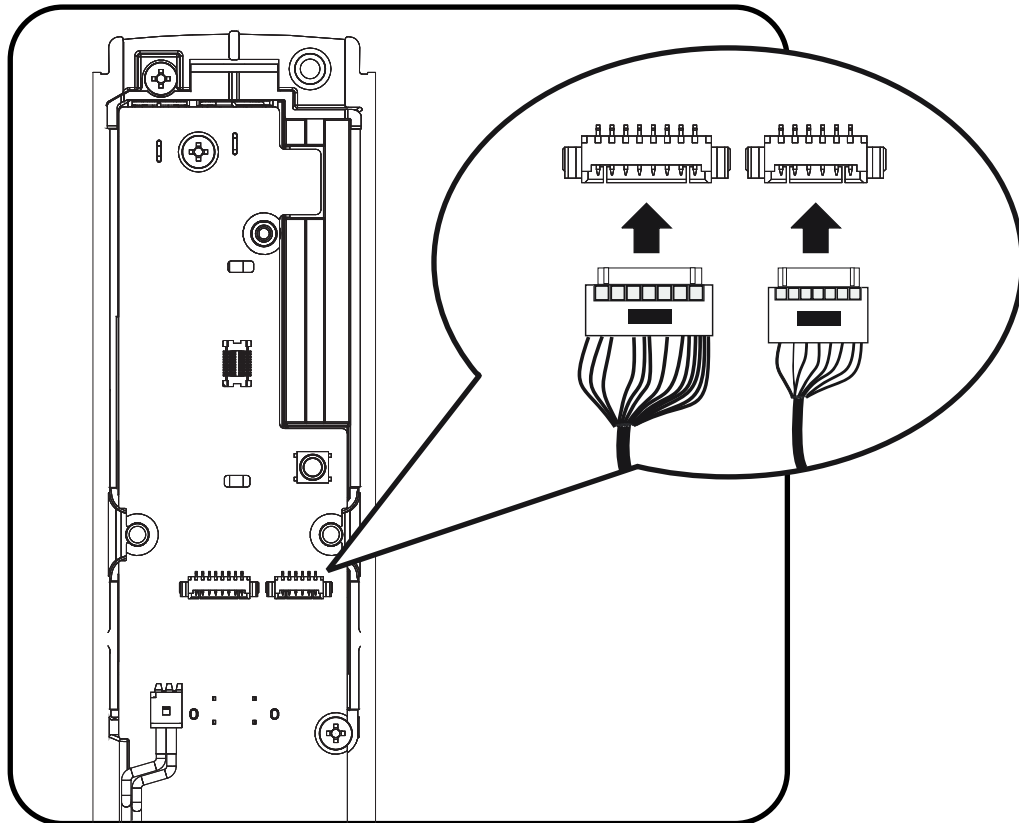
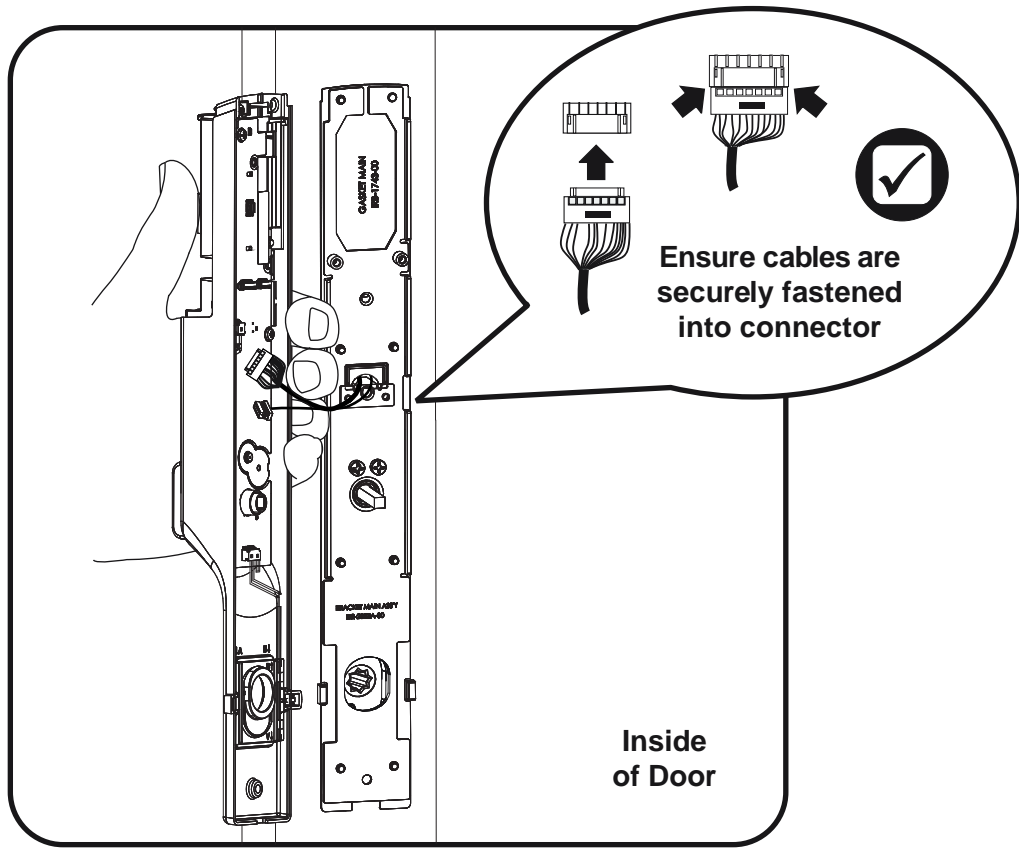


Attach Door Position Sensor assembly.



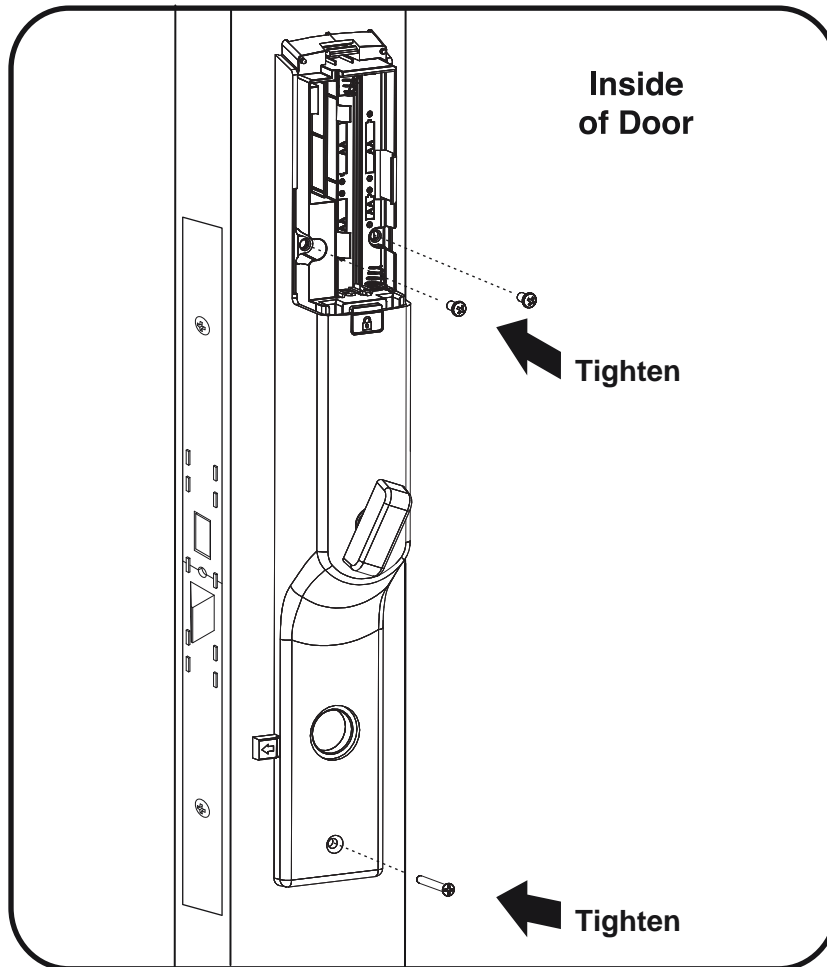
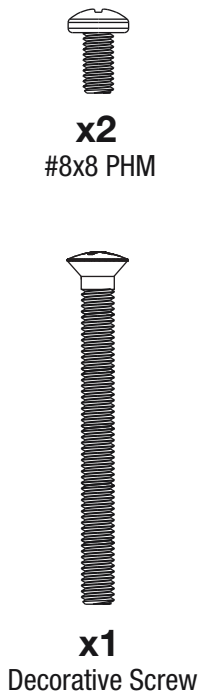
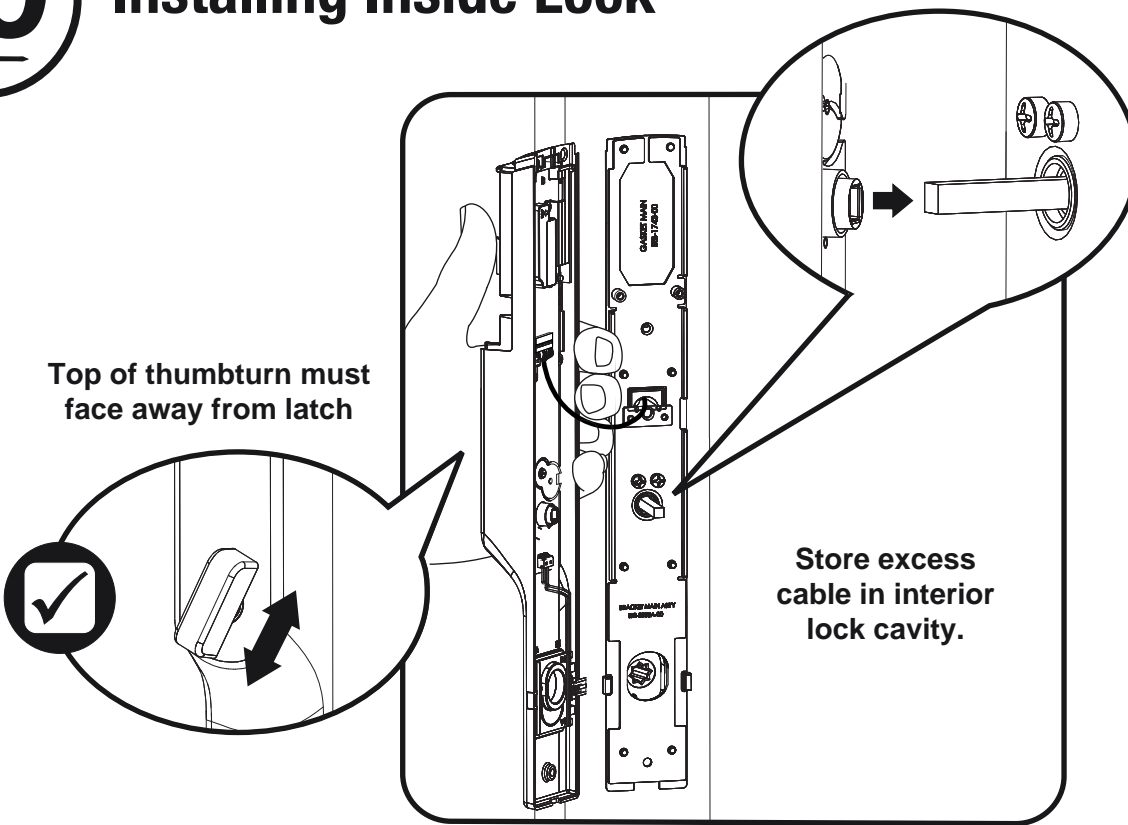
9

Attaching Cable Assemblies



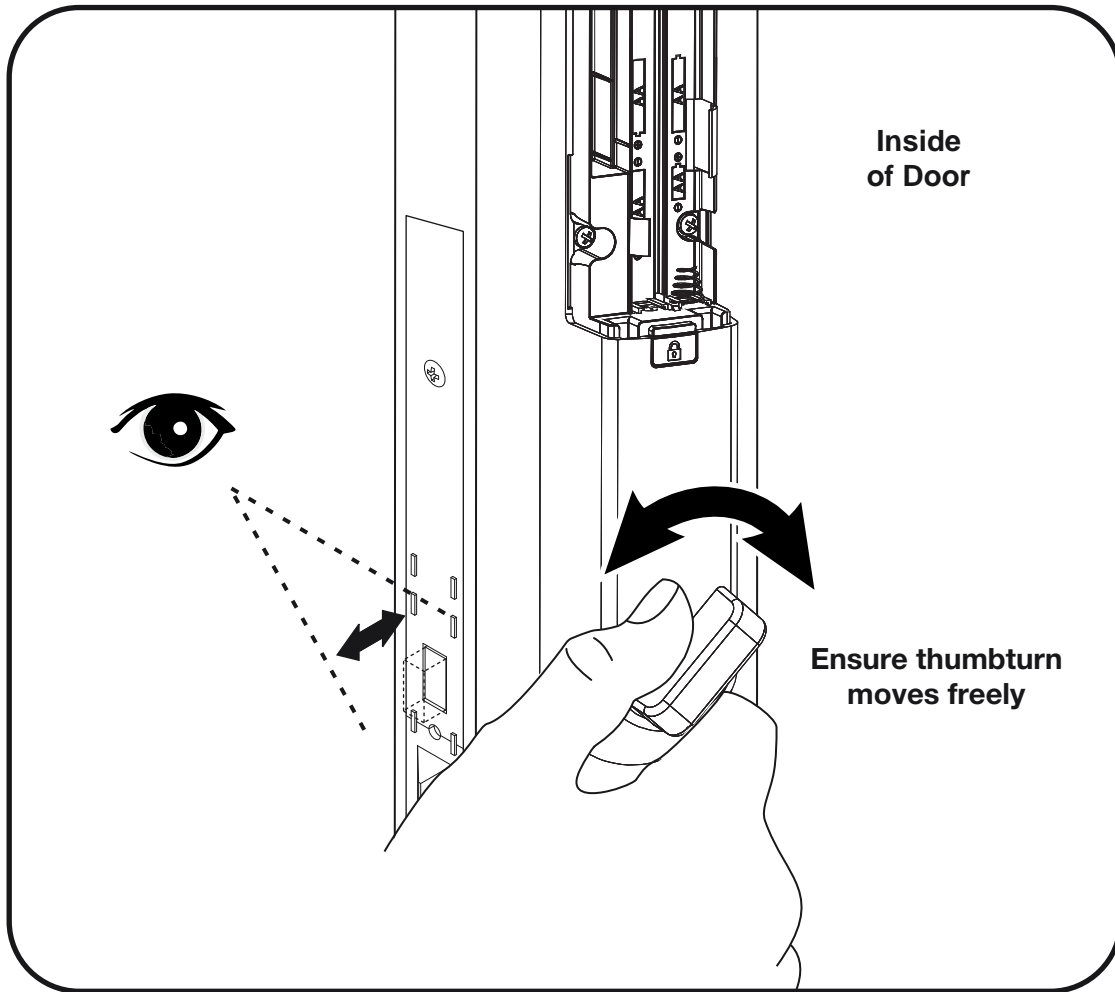
10

Installing Inside Lock



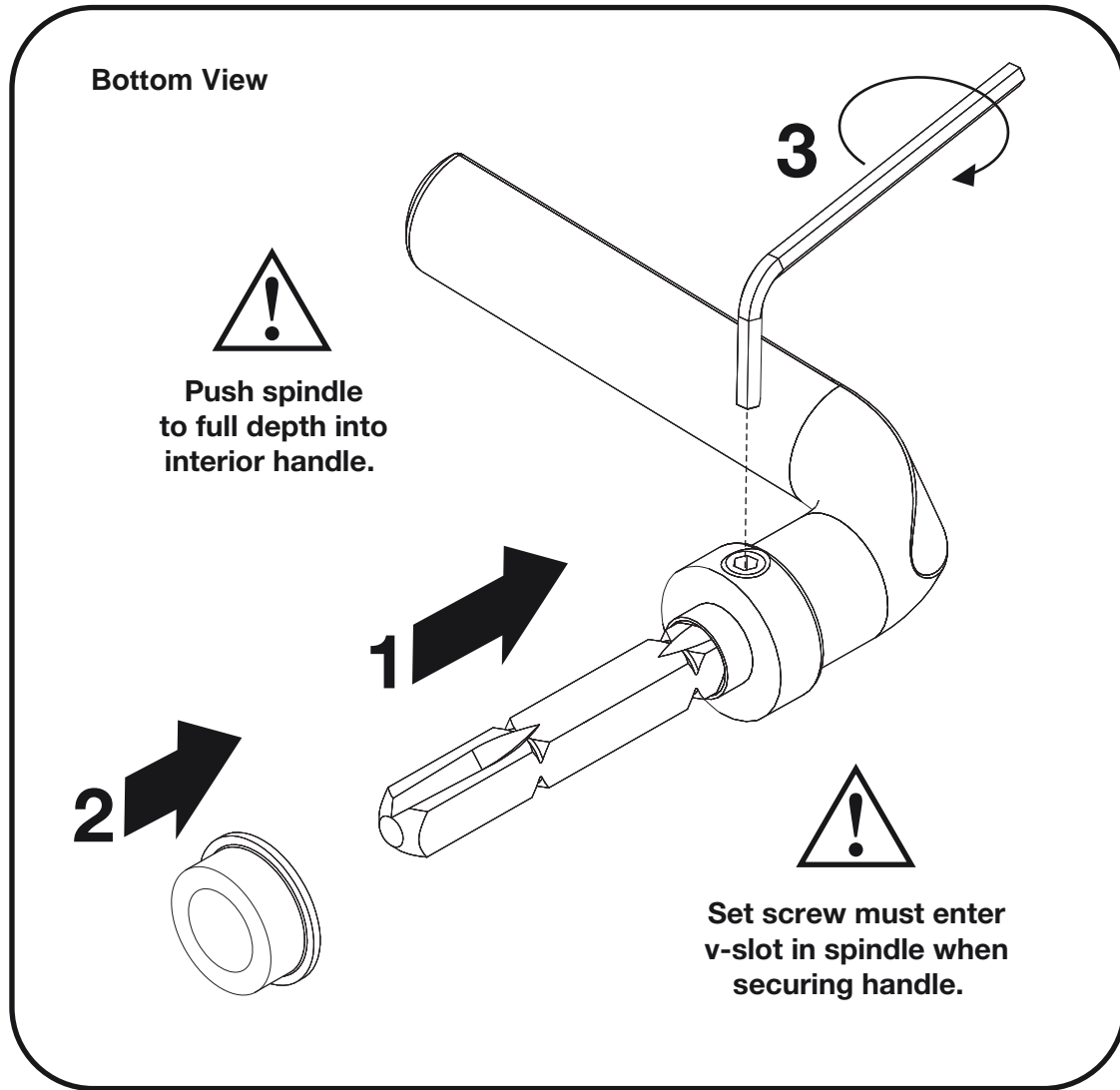


Testing Operation



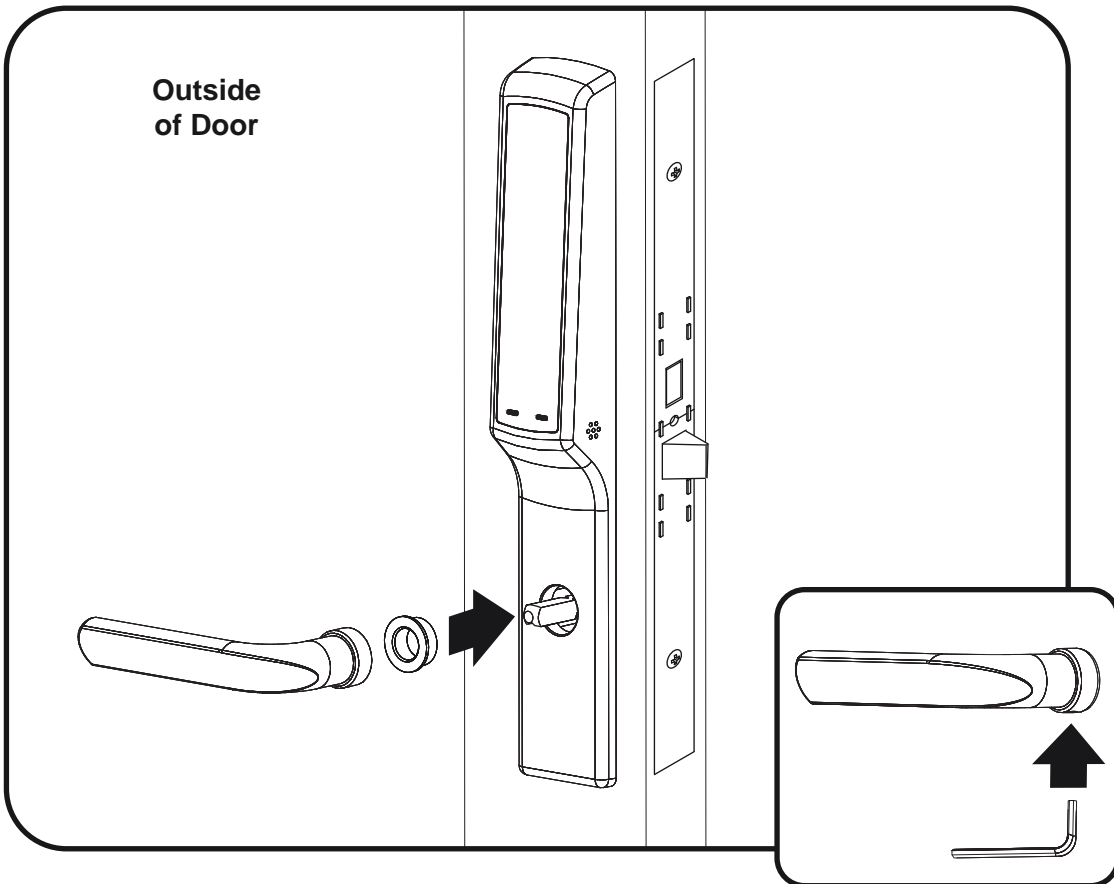
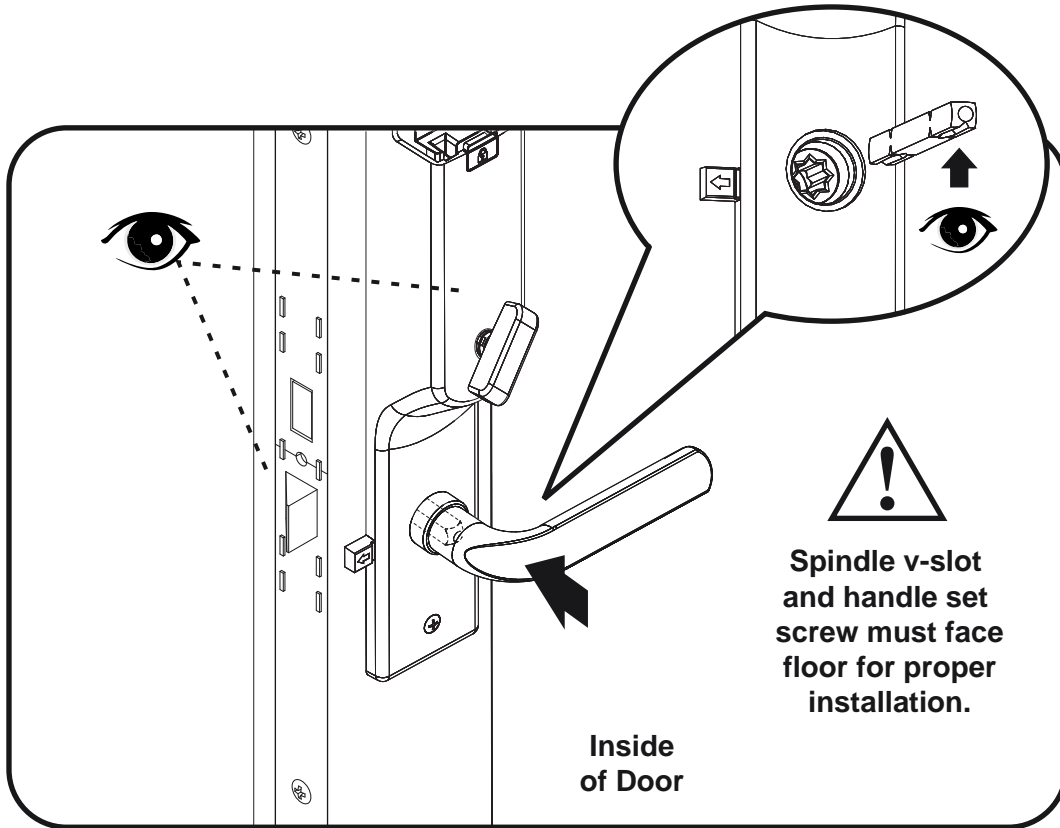
11

Installing Handle Spindle & Bushing



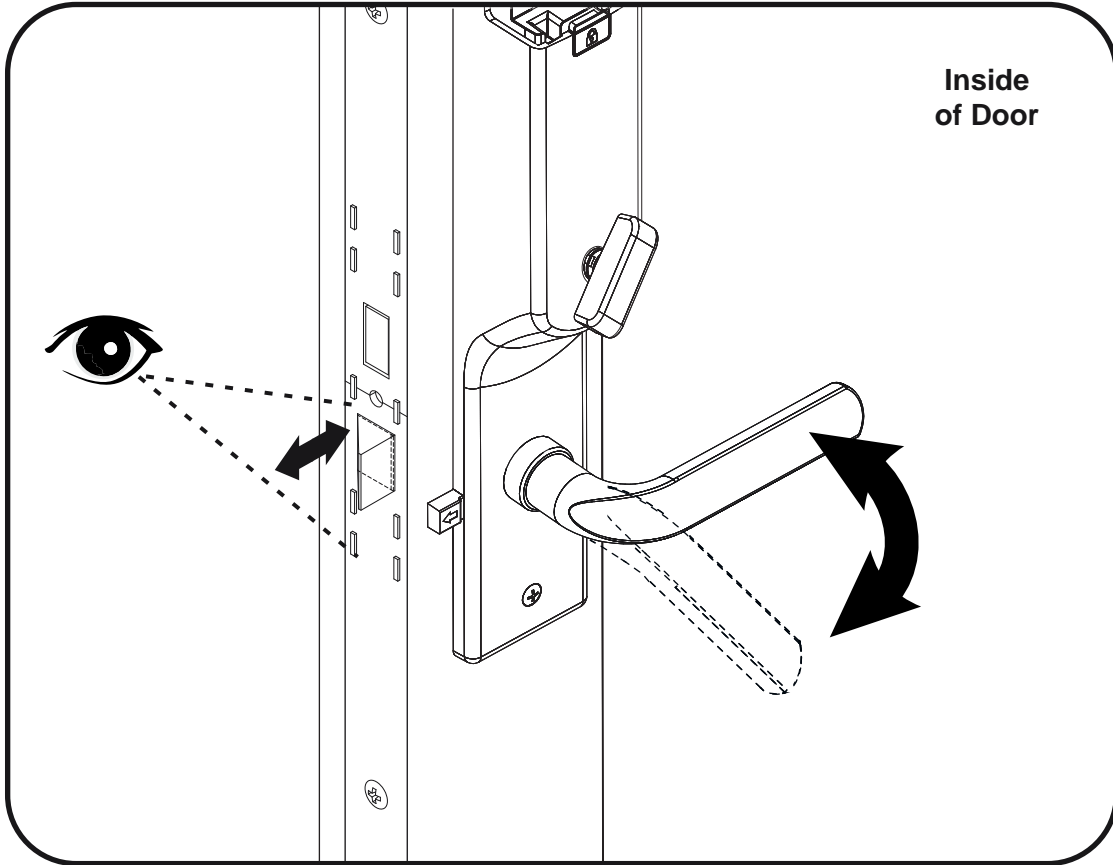
12

Installing Handles





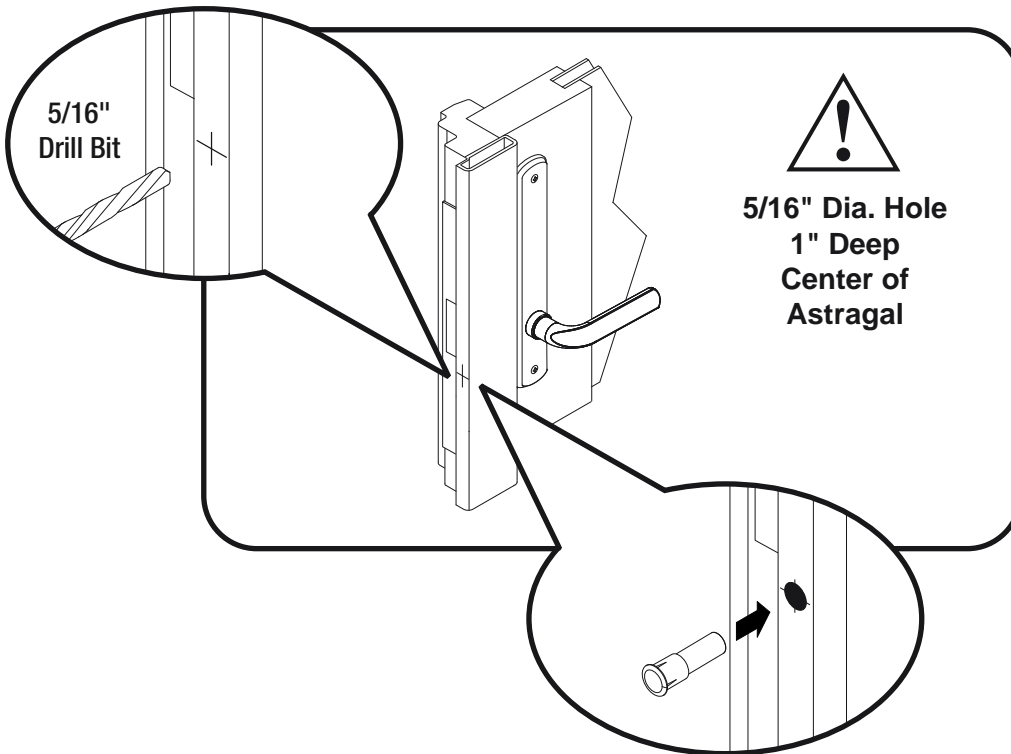
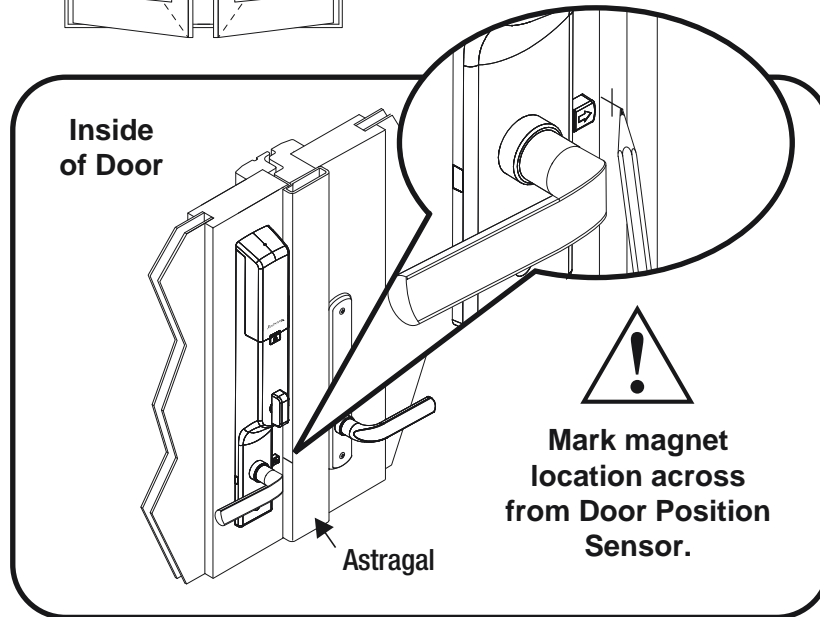
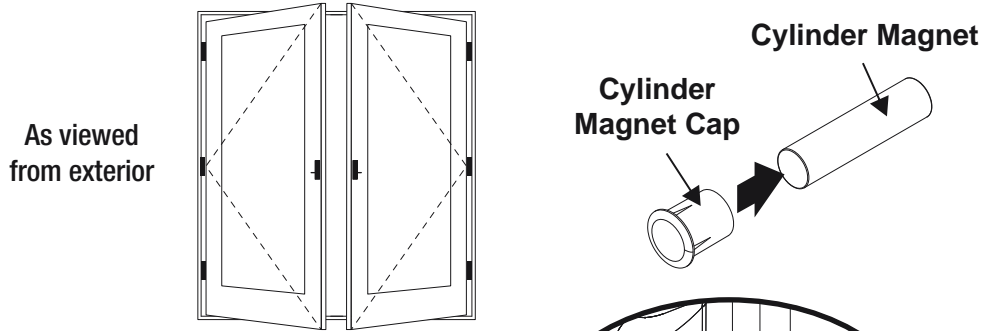
Testing Handle Operation

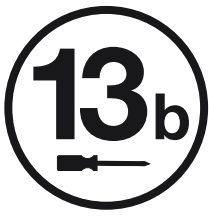


13_a

Installing Door Position Sensor Accessory Magnet

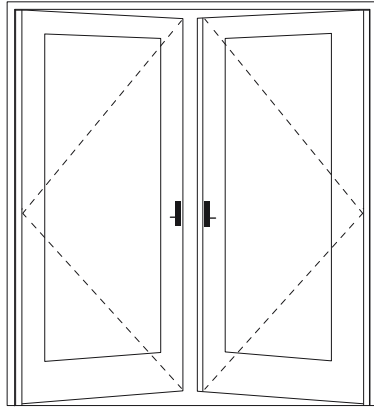
For DOUBLE Operating OUTSWING Patio Doors Only



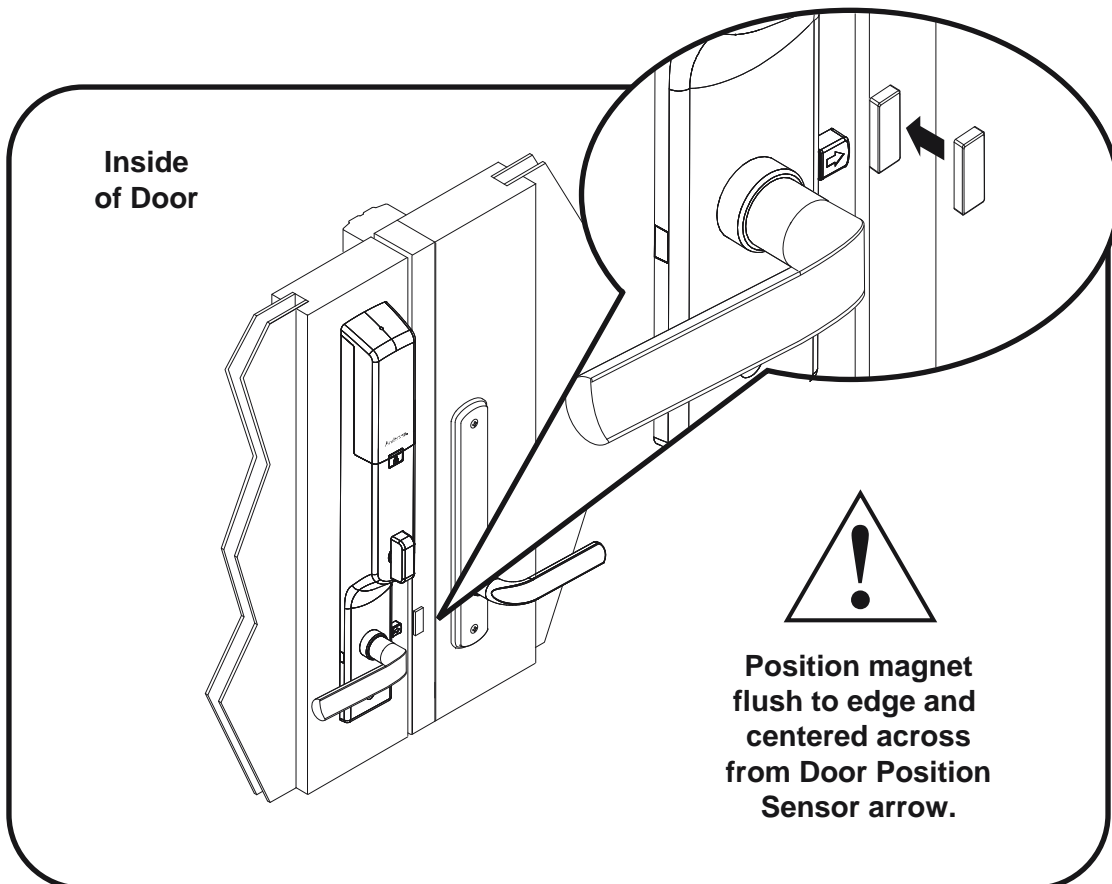
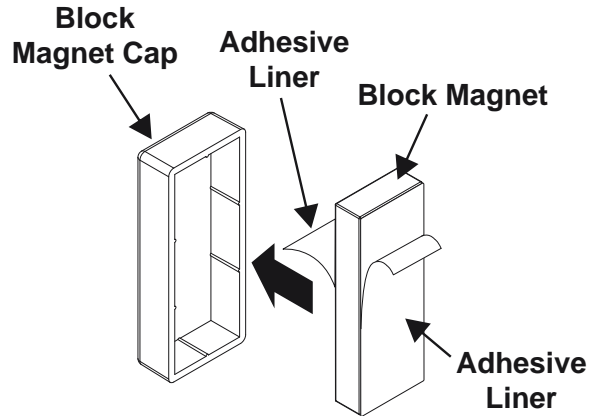


Installing Door Position Sensor Accessory Magnet

For DOUBLE Operating INSWING Patio Doors Only



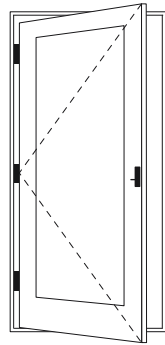
As viewed
from exterior



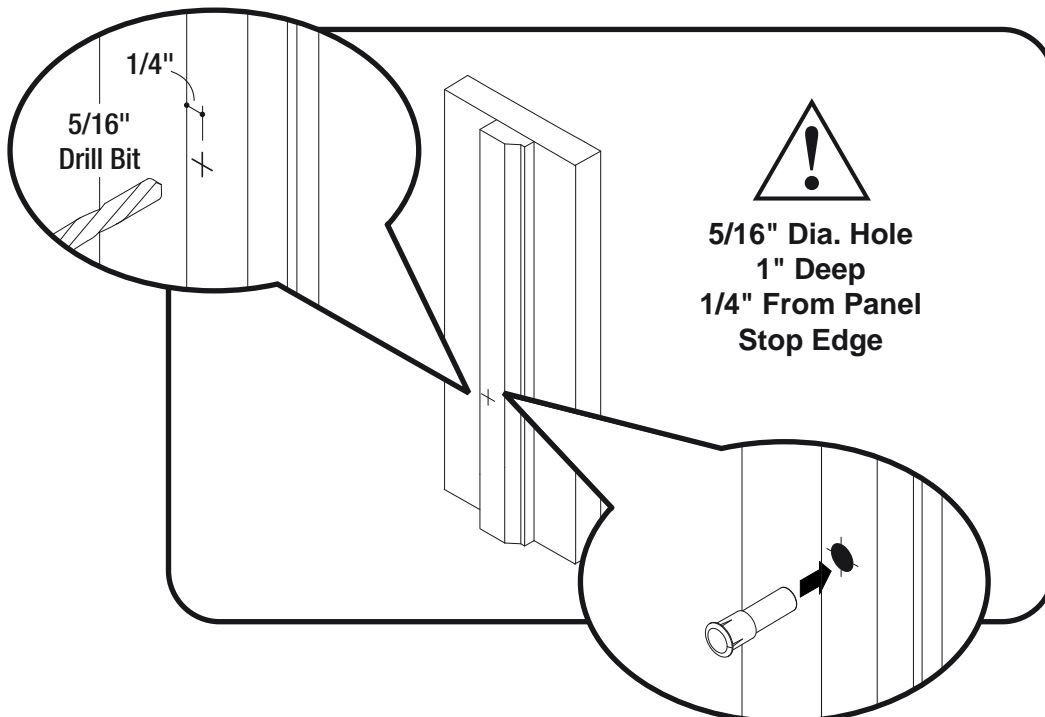
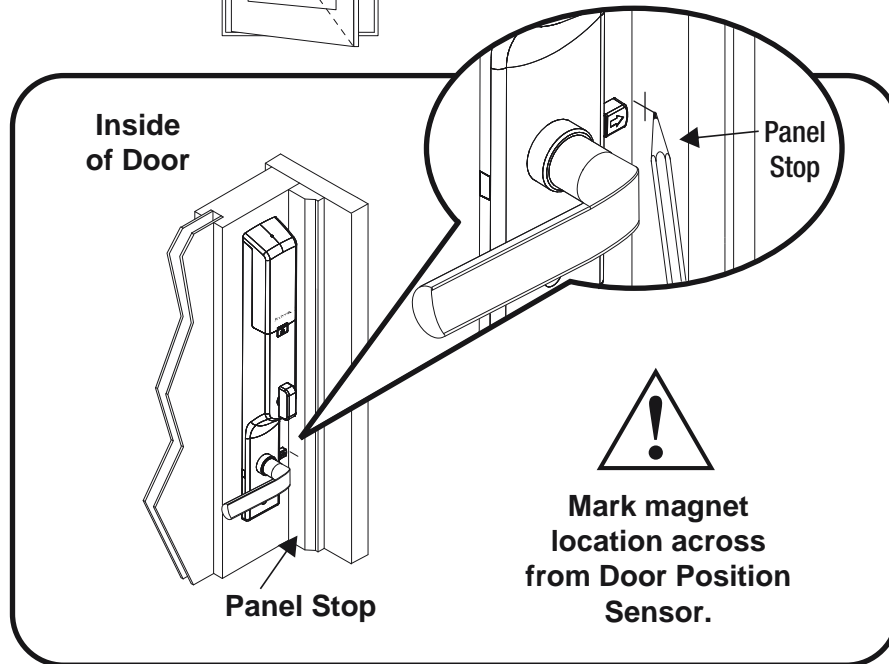


Installing Door Position Sensor Accessory Magnet

For SINGLE Operating OUTSWING Patio Doors Only



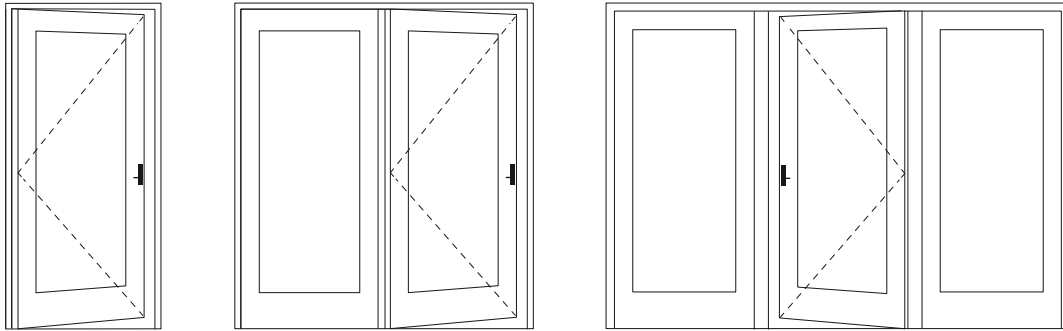
As viewed
from exterior



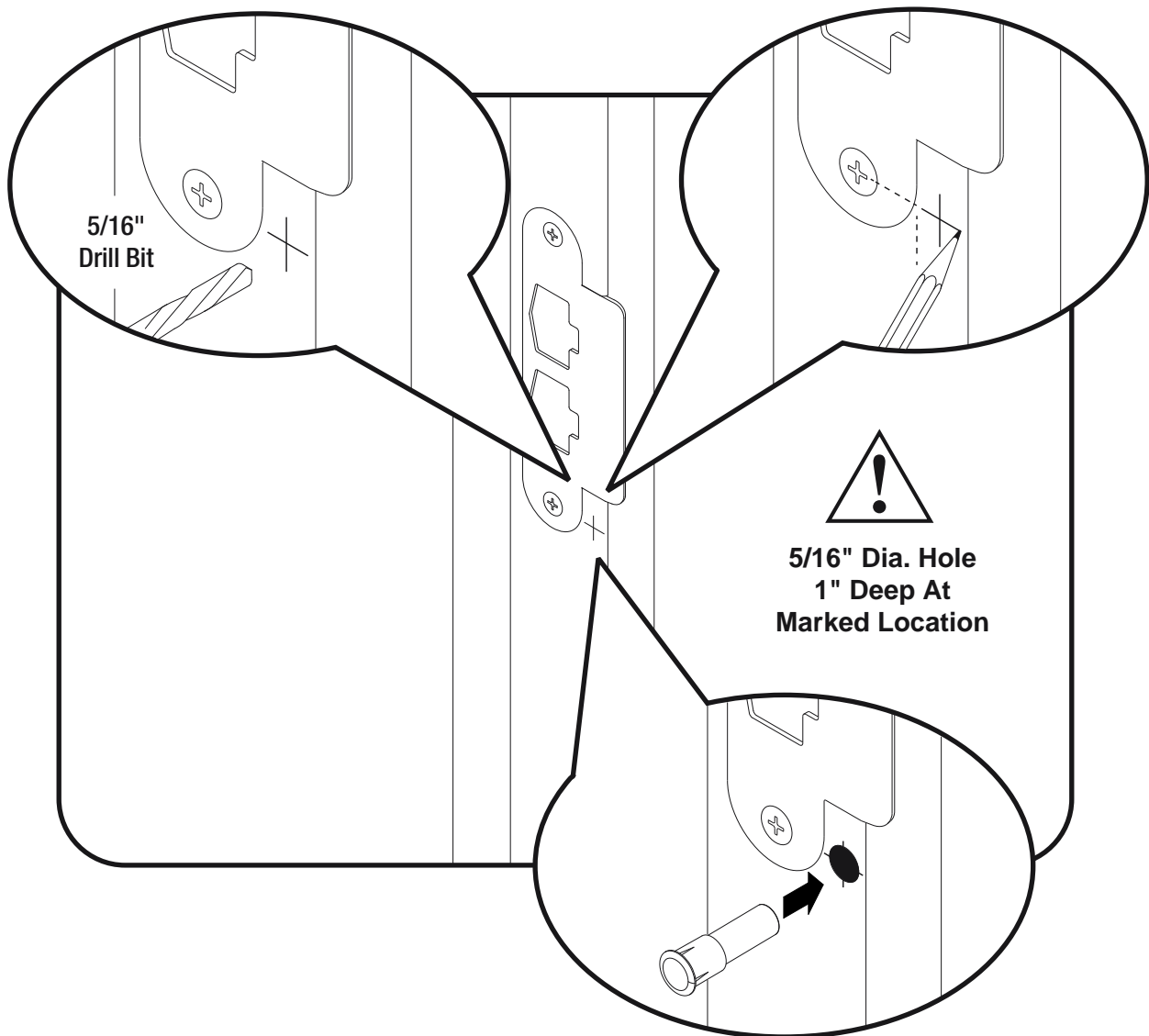


Installing Door Position Sensor Accessory Magnet

For SINGLE Operating INSWING Patio and Entry Doors Only

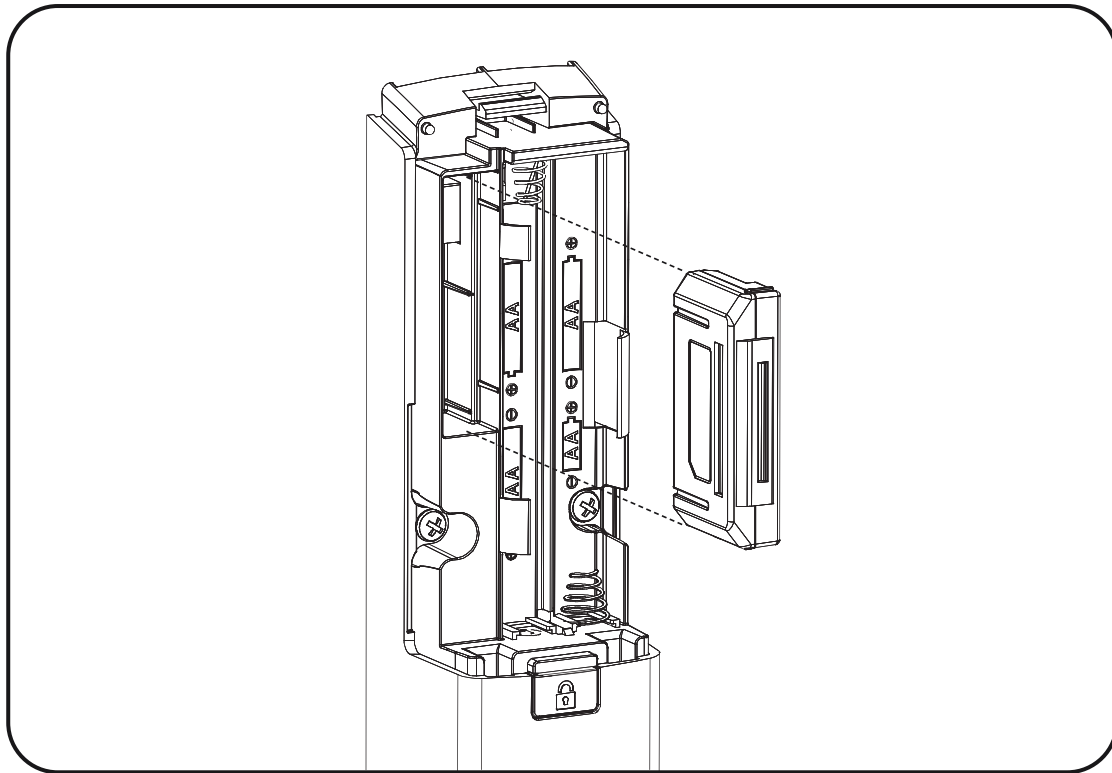


As viewed from exterior



14

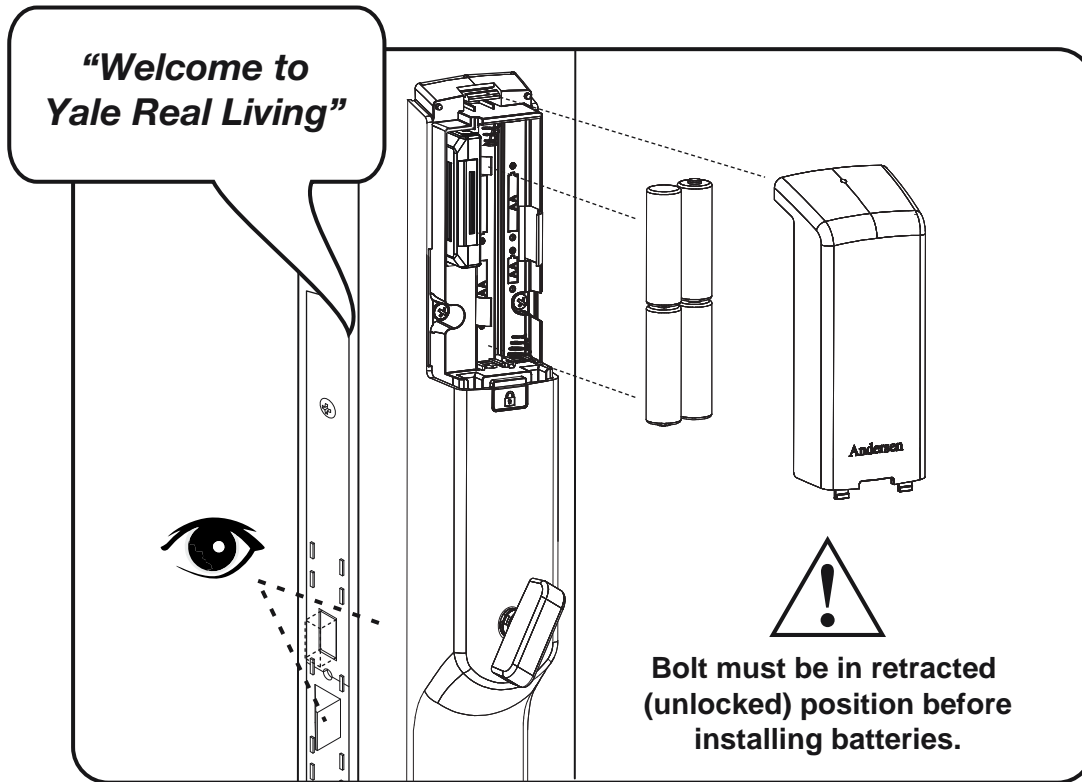
Installing Optional Yale Smart Module



***Yale Smart Modules can be purchased separately**

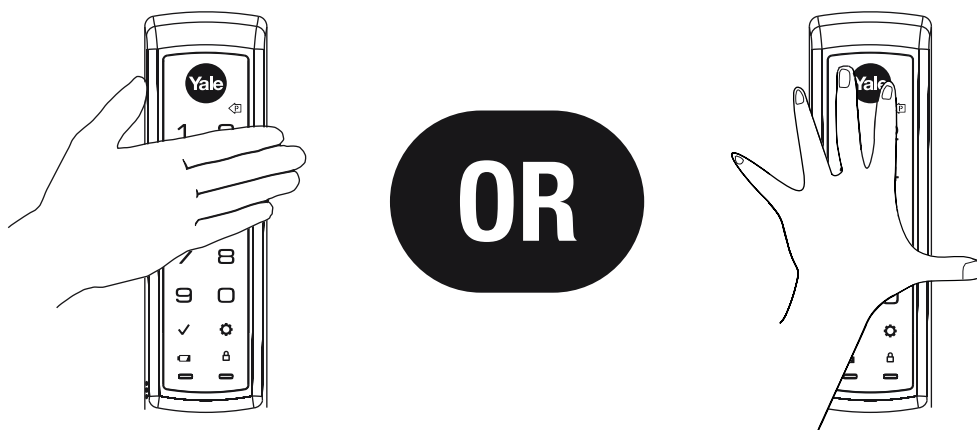
15

Installing Batteries & Cover



Congratulations, you've installed your new smart lock!
Continue for Programming Instructions.

Lock Activation

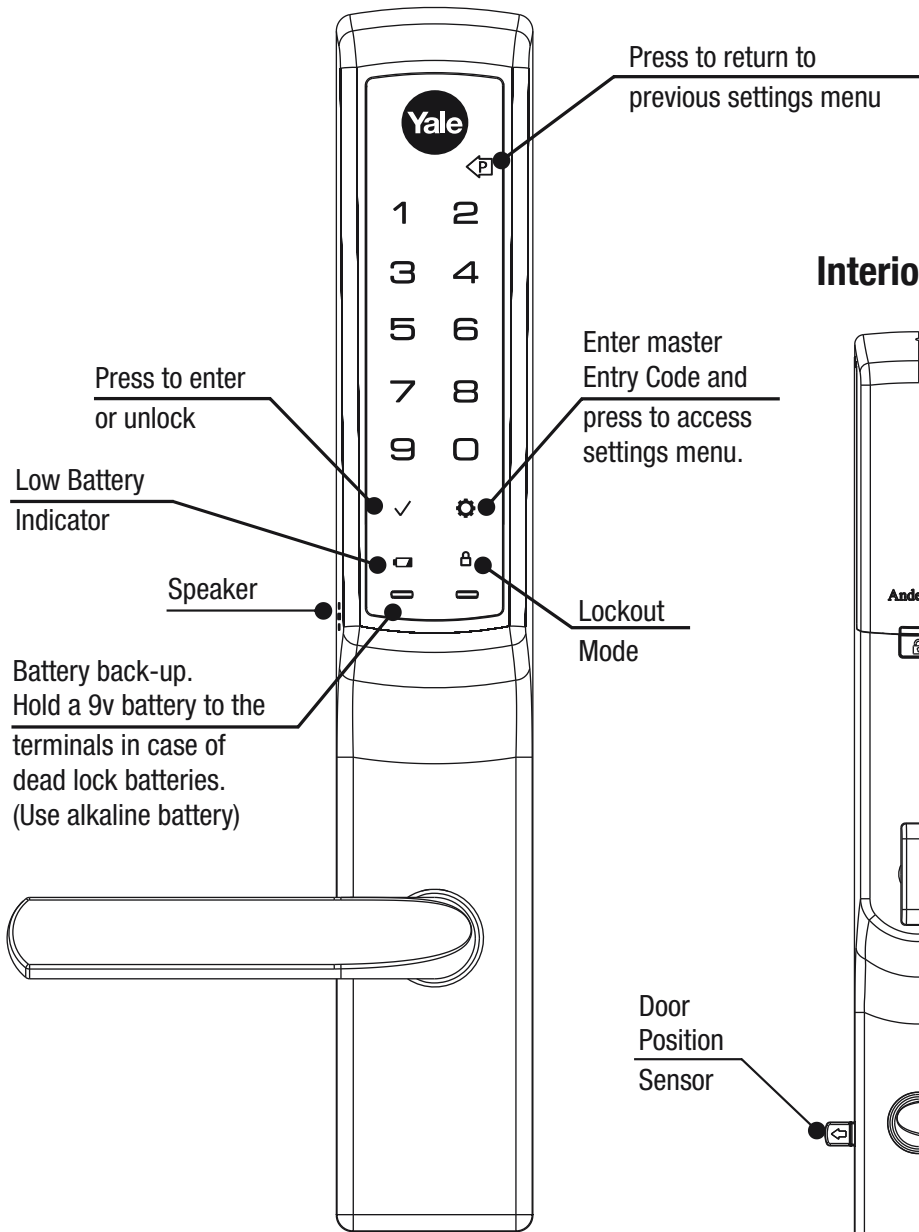


Touch the lock with your entire palm to wake the lock. You will be guided to set up your lock by following the audio instructions on the lock.

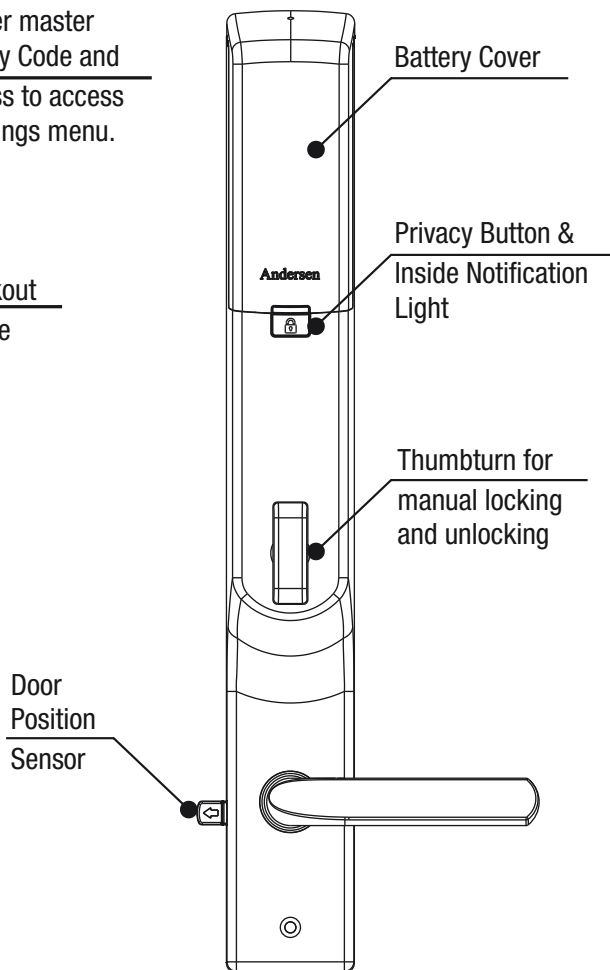
Additional entry codes and further programming can be done through the Settings Menu.

Using Your Lock

Touchscreen



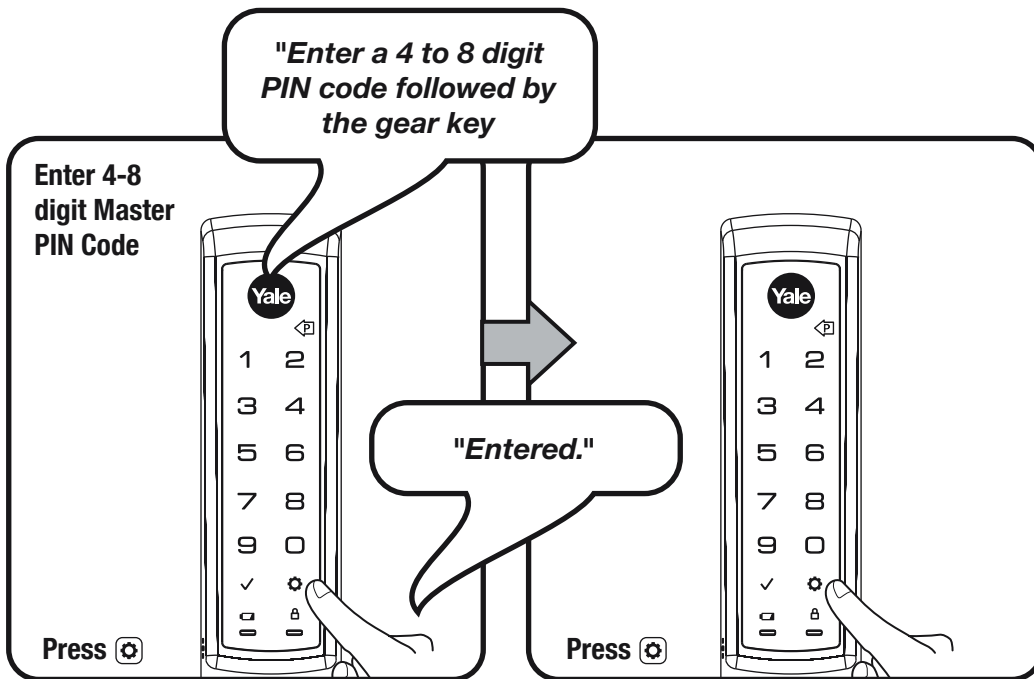
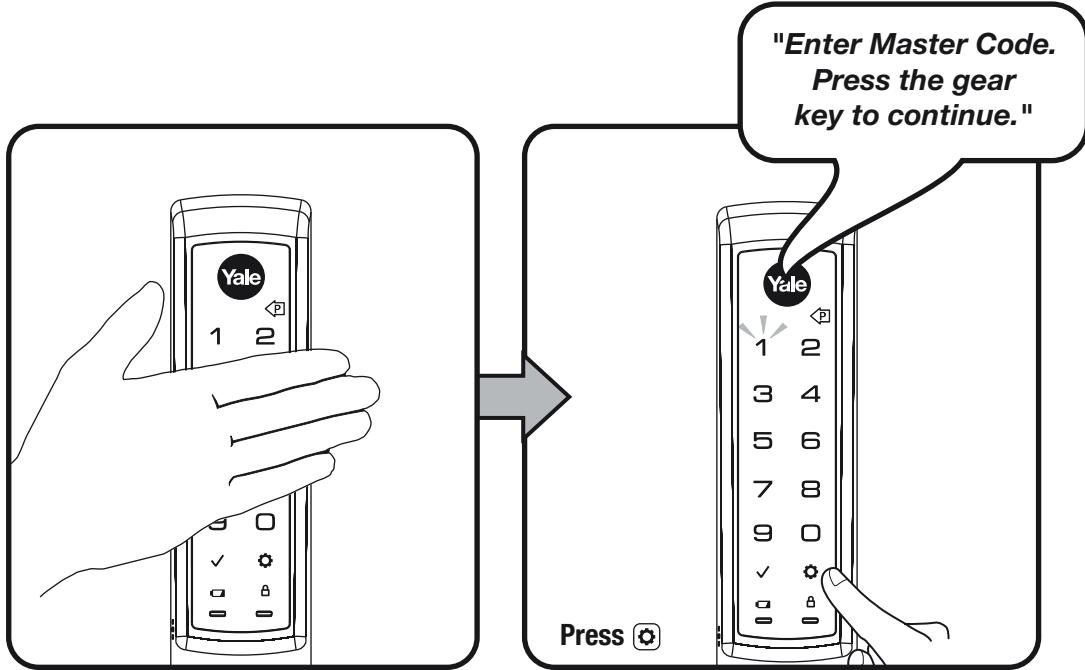
Interior Lock



1

Creating Master PIN Code

The Master PIN Code is used to change lock settings. A security best practice is to set your master code with 6 or more digits and create a separate code that is used daily to lock and unlock the door.



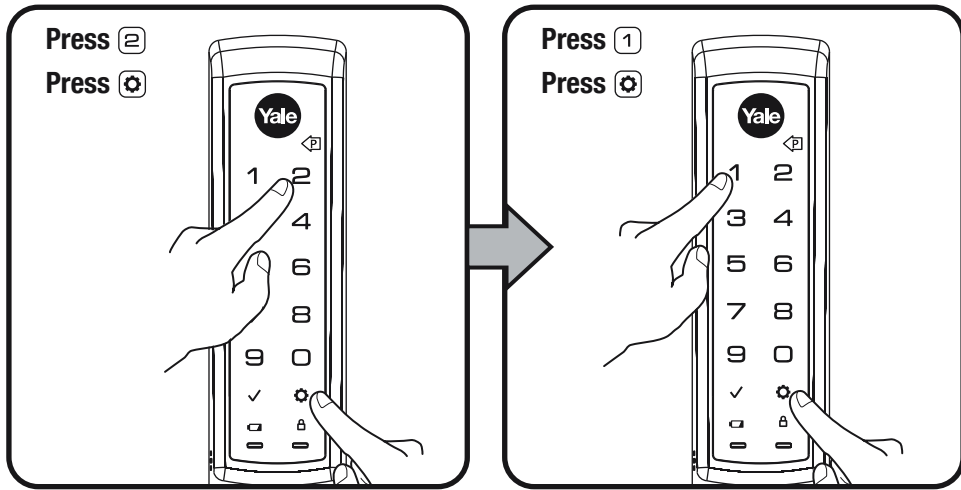
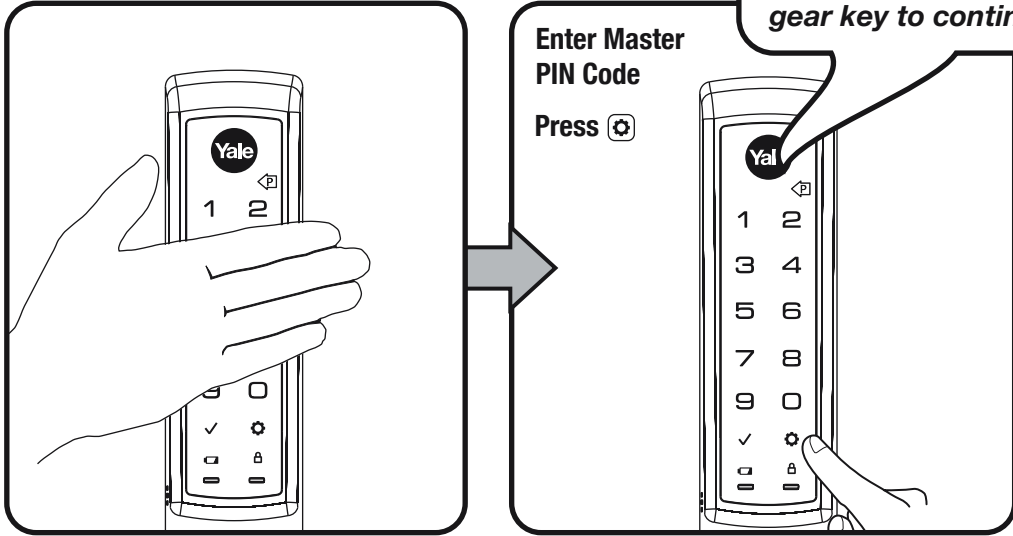
Press gear key for a second time and the lock will automatically hand.

2

Creating User Codes

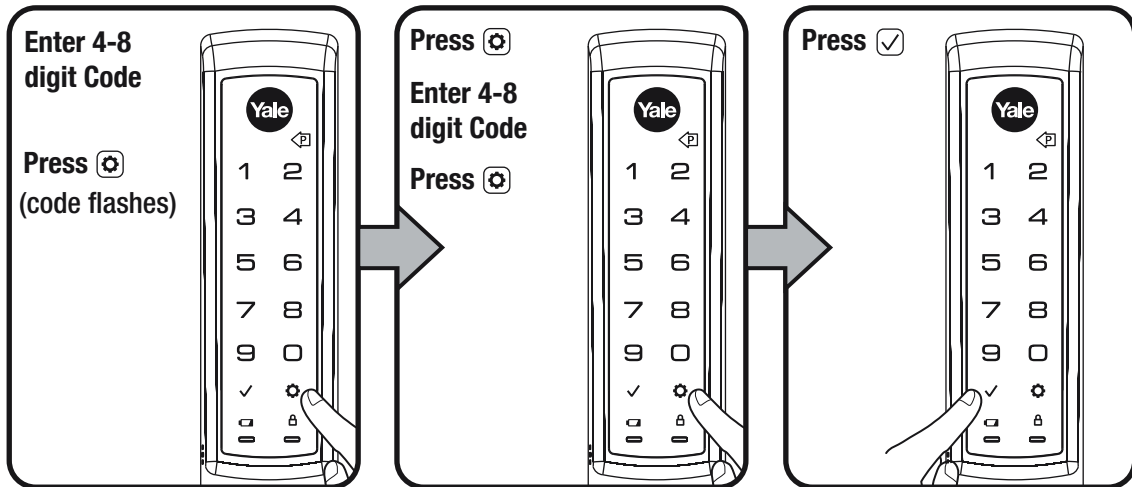
Master PIN Code must be created first.
*Max user codes = 250 with Yale Smart Module.
Max user codes = 25 without.

"Menu Mode, enter number, press the gear key to continue."



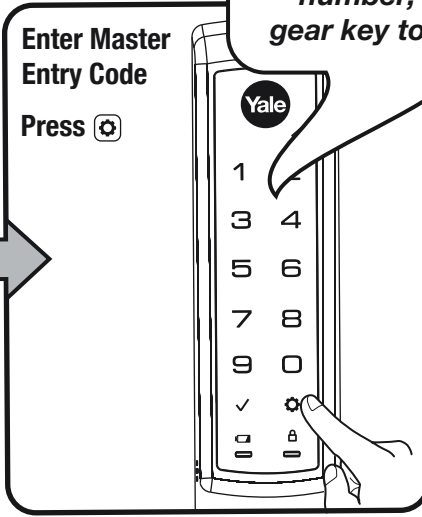
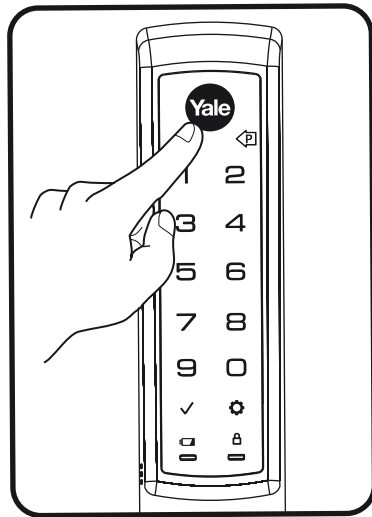
Adding more User Codes:

To end programming:



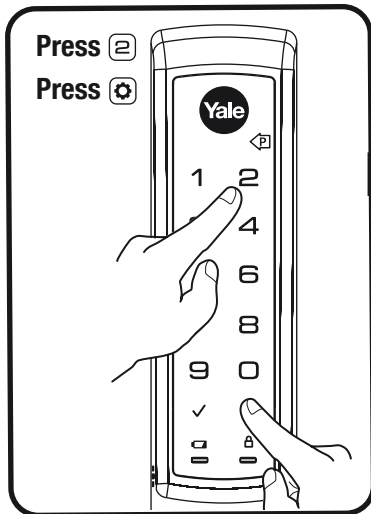
3

Deleting User Codes

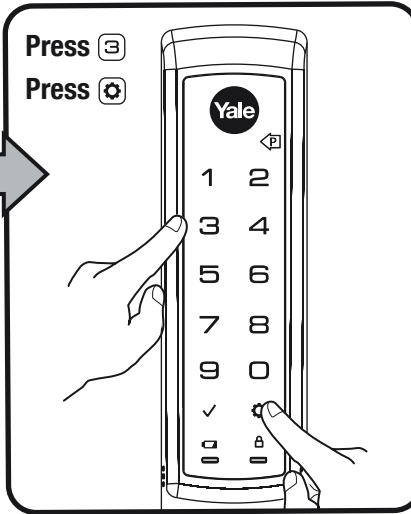


Enter Master Entry Code
Press ⚙️

"Menu Mode, enter number, press the gear key to continue."



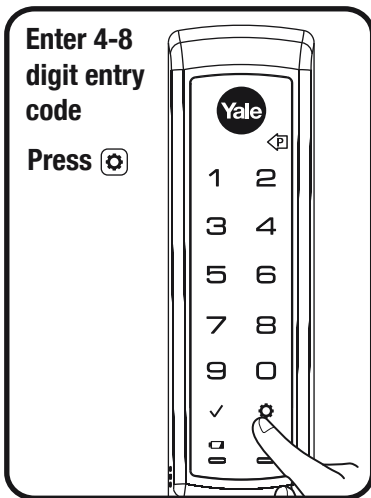
Press 2
Press ⚙️



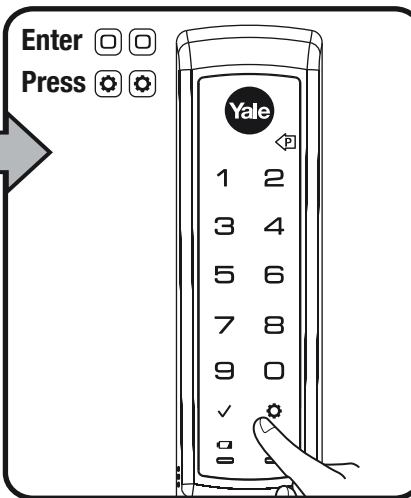
Press 3
Press ⚙️

Deleting one entry code:
To delete one entry code, you must enter the entry code you wish to delete.

**To delete all entry codes
(Does not delete Master Entry Code):**



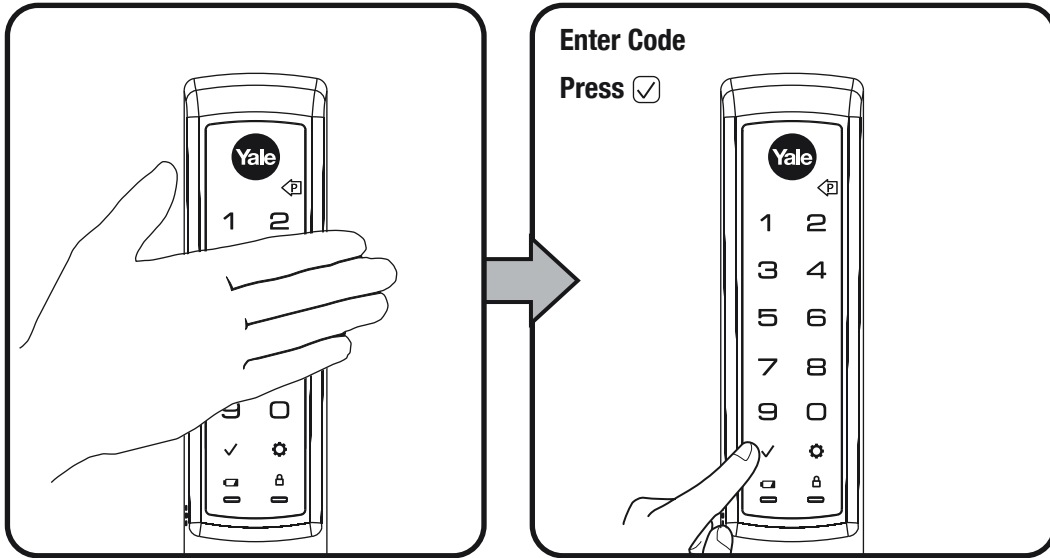
Enter 4-8 digit entry code
Press ⚙️



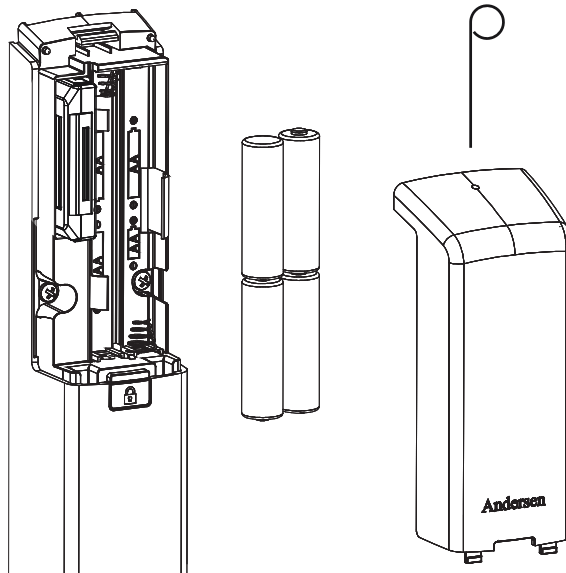
Enter □□
Press ⚙️ ⚙️

4

Unlocking Door with Code



Replacing Batteries:



NOTE TO INSTALLER AND CONSUMER

While Yale® has included several features to prevent lockout (9-Volt battery jumper, low battery warnings), it is still possible for a lockout situation to occur. Because this product does not have a mechanical override (a key), Yale® recommends to use this product in an environment where there are additional entry points into the dwelling.







Enabling Door Position Sensor Functionality

WARNING: Enabling this feature could cause lock to be unable to lock electronically in the event of a Door Position Sensor failure.

WARNING: Enabling this feature could allow someone to tamper with your lockset Door Position Sensor preventing lock from being locked electronically.

During installation the Door Position Sensor functionality is automatically disabled.

To Enable:

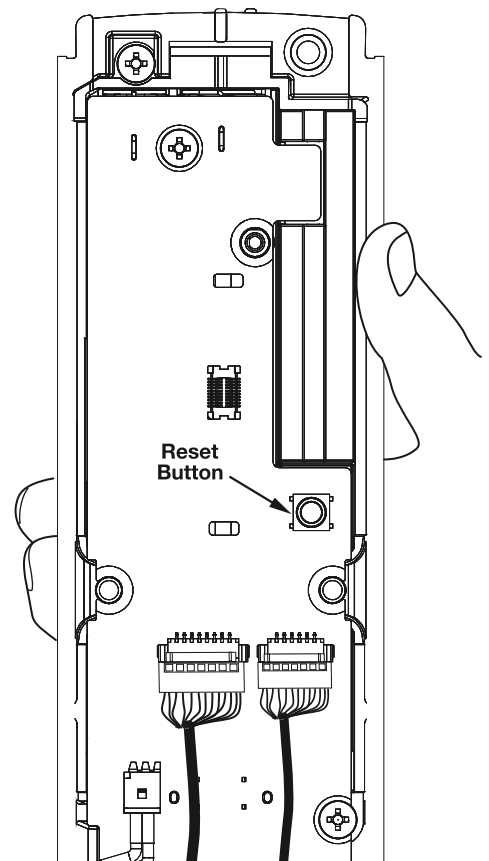
1. Touch screen with back of hand or palm to activate. 
2. Enter PIN code followed by  key.
3. Select menu option 3 “**Advanced Lock Settings**” followed by  key.
4. Select option 8 “**Door Position Sensor**” followed by  key.
5. To enable the Door Position Sensor select option 1 “**Enable Door Position Sensor**” followed by  key then  key to complete setup.

Resetting Lock to Factory Default

When resetting the lock, all user codes, including the Master PIN code*, are deleted. All programming features are reset to the original default settings (see below).

1. Remove the battery cover and batteries.
2. Remove the interior lock to access the reset button.
3. The reset button (see image at right) is located above the PCB cable connectors.
4. Re-insert 3 batteries and hold the reset button for 3 seconds.
5. While still holding the reset button, insert the 4th battery, and hold the reset button for an additional 3 seconds.
6. Release the reset button.
7. Re-install the interior lock onto the door.

Upon reset, Master PIN Code creation is the only option available and must be performed prior to any other programming of the lock.



Interior Lock

For best results, the lock should be installed on the door when resetting the lock to factory default. If the process was done and the lock was not installed on the door, review the Re-Handing instructions listed in Hardware Troubleshooting.





*The Master PIN code must be registered prior to any other programming of the lock.

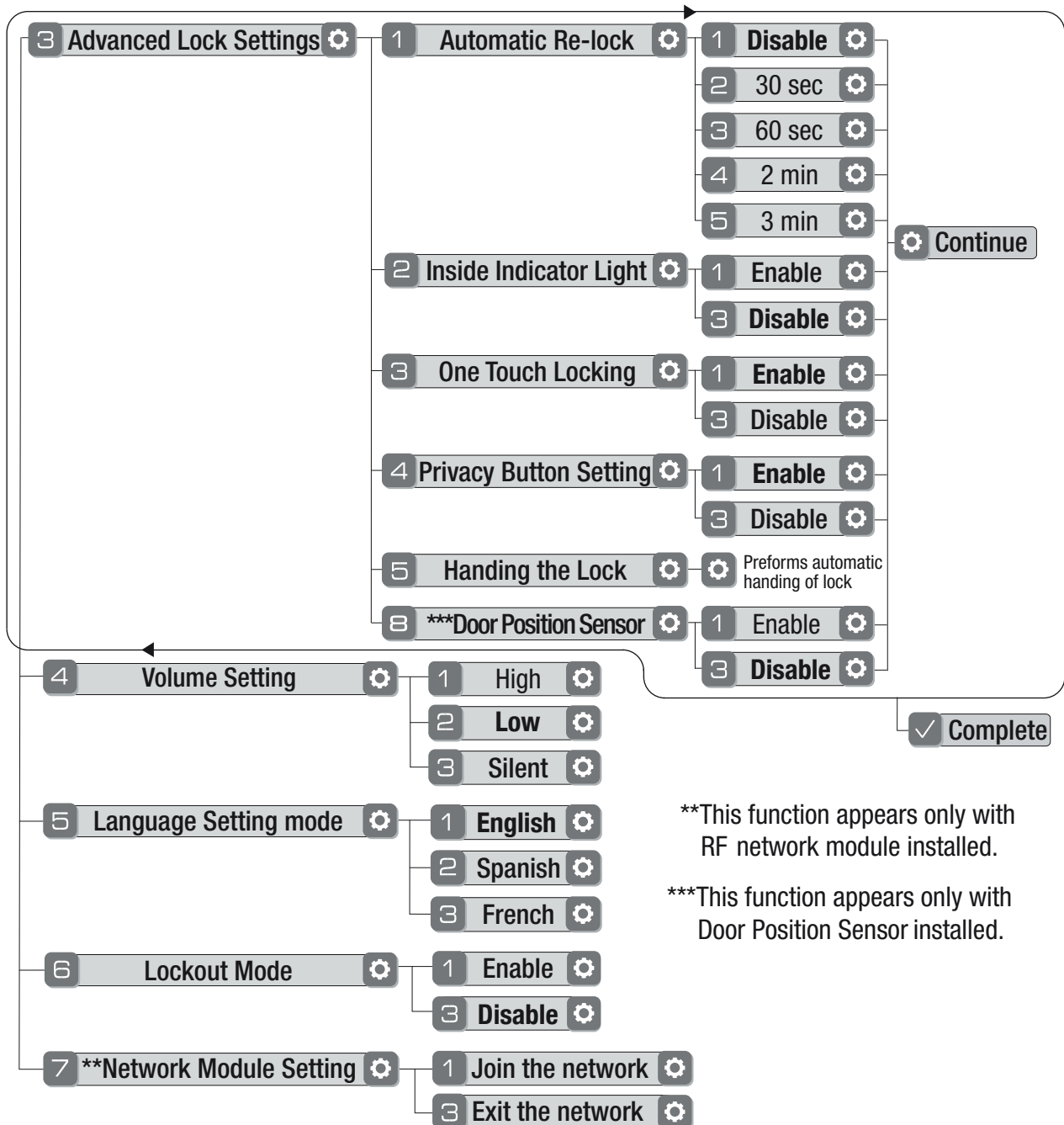
Setting Definitions

Settings	Default Setting	Definition
Master PIN Code	Creation required*	The Master PIN Code is used for programming and for feature settings. It must be created prior to programming the lock. The Master PIN code will also operate (unlock/lock) the lock.
Automatic Re-lock	Disabled	After a successful code entry or manual unlock with the key, the lock will automatically re-lock after each unlock in an effort to keep your home secure. This feature is optional, and can be turned off. In the ON mode, the lock will automatically re-lock after thirty (30) seconds.
Inside Indicator Light	Disabled (Off)	Located on the inside lock. Shows active status (Locked) of lock and can be enabled or disabled in the Advanced Lock Settings (Main Menu selection #3).
One Touch Locking	Enabled	When the latch is retracted, activating the keypad will extend the latch (during Automatic Re-lock duration or when Automatic Re-lock is disabled). When One-Touch Re-lock is not in use (disabled), any valid PIN Code will re-lock the lock.
Privacy Button	Disabled	Privacy mode is disabled by default. Enable Privacy mode by pressing the privacy button for 4 seconds to put the lock in do-not-disturb mode (all pin codes are disabled).
Volume	Enabled (Low)	The volume setting for entry code verification is set to Low (2) by default; otherwise it can be set to High (1) or Silent (3) for quiet areas.
Language	English	Choosing English (1), Spanish (2) or French (3) becomes the (default) setting for the lock's voice prompts.
Lockout Mode	Disabled	This feature is enabled by the Master Entry Code. When enabled, it restricts all user (except Master) Entry Code access. When attempting to enter a code while the lock is in Lockout mode, the RED locked padlock will appear on the screen.
Wrong Code Entry Limit	5 Times	After five (5) unsuccessful attempts at entering a valid entry code, the lock will shut down and not allow operation for sixty (60) seconds.
Shutdown Time	60 Seconds	The Lock will shutdown (flashing RED) for sixty (60) seconds and not allow operation after the wrong code entry limit (5 attempts) has been met.
Door Position Sensor	Disabled	The built-in Door Position Sensor on your lock ensures that the door is closed prior to locking. If this feature is enabled, the door will ONLY electronically lock when the Door Position Sensor detects the door is closed.

*The Master Entry Code must be created prior to any other programming of the lock.

Feature Programming Through Menu Mode Using Master PIN Code*







1. Touch screen with back of hand or palm to activate. 
2. Enter 4-8 digit master PIN code* followed by  key.
Lock Response: "Menu mode, enter number, press  key to continue."
3. Enter digit corresponding to the function to be performed followed by the  key.
Follow the voice commands.



**This function appears only with RF network module installed.

***This function appears only with Door Position Sensor installed.

Programming Troubleshooting

Symptom	Suggested Action
Lock does not respond – door is open and accessible.	<ul style="list-style-type: none"> • Touchscreen becomes active when pressed w/whole hand. Use a larger area of the hand or fingers and verify contact with at least 3 areas. • If touchscreen numbers are visible, check to see if they respond when pressed. • Check batteries are installed and oriented correctly (polarity) in the battery case. • Check batteries are in good condition; replace batteries*if discharged. • Check to see if touchscreen harness is fully connected and not pinched.
Lock does not respond – door is locked and inaccessible.	<ul style="list-style-type: none"> • Batteries may be completely discharged. • Apply 9V battery to terminals below the touchscreen for backup power option.
Unit is on for a while then shows no reaction. Lights dim.	<ul style="list-style-type: none"> • Batteries do not have enough power. Replace batteries*.
Unit chimes to indicate code acceptance, but the door will not open.	<ul style="list-style-type: none"> • Check the door gaps for any foreign objects between door and frame. • Check that the wire harness is firmly connected to the PCB.
Unit operates to allow access, but will not automatically re-lock.	<ul style="list-style-type: none"> • Check to see if Auto Re-lock Mode is enabled. • Disable Auto Re-lock Mode to lock the door (automatically). • If low battery indicator is lit (see below), change batteries*.
PIN codes will not register.	<ul style="list-style-type: none"> • PIN codes must consist of 4 to 8 digits to register. • The same PIN code cannot be used for multiple users. • Registration/management of PIN codes is set by the authority of the Master Code, which is set first. • Contact the Master user. • User codes must be entered within 5 seconds (while touchscreen is active) or process will have to be restarted. • Check  or gear  cannot be used as part of the PIN code.
Upon entering a PIN code and pressing  key, the unit displays "invalid code" error or lock times out with-out responding.	<ul style="list-style-type: none"> • Lockout Mode is enabled. • Only the Master can enable/disable Lockout Mode. • Contact the Master user.
Upon entering a PIN code and pressing the  key, the red padlock icon appears and there are different tones.	<ul style="list-style-type: none"> • Check to see if the lock is set to Lockout Mode. • Setting/managing Lockout Mode is done through Master Code only. Contact the Master user.
The unit operates, but it makes no sound.	<ul style="list-style-type: none"> • Check to see if Silent Mode is enabled (see Feature #4).
The unit responds "Low Battery"	<ul style="list-style-type: none"> • This is the alert to replace the batteries. Replace all four (4) batteries* with new AA Alkaline batteries.
Upon entering a PIN code and pressing the  key, the unit responds "Wrong number of digits".	<ul style="list-style-type: none"> • The digits entered were incorrect or incomplete. Re-enter the correct code followed by the check  key.

* When batteries are replaced, Network Module locks have a real time clock that will be set through the User Interface (UI); it is recommended to verify correct date and time particularly those locks operating under Daylight Saving Time (DST).

** Network Module locks only

Hardware Troubleshooting

Cycle lock in both the locked and unlocked positions. If problems are found:

Bolt will not extend and motor is grinding

- a. Enter your Master PIN code.
- b. With the bolt retracted, press menu Option 3 for Advanced Lock Settings.
- c. Press Option 5 to rehand the lock.
- d. Test the operation locking the door via the keypad.

Door is binding

- a. Check that door and frame are properly aligned and door is free swinging.
- b. Check hinges: They should not be loose or have excessive wear on knuckles.

Bolt will not deadlock

- a. Check for sufficient clearance of the bolt within the strike-side jamb. Correct this by increasing the depth of the pocket for the bolt.
- b. Check for misalignment of bolt and/or strike which may be preventing bolt from properly entering the strike. With the door open, extend and retract the bolt; if it is smooth, check the strike alignment.
- c. Confirm which Andersen door unit is in the home. If an Andersen 200 Series or 400 Series hinged patio door, the hookbolts must be manually engaged before the Yale Assure lock can lock the patio door's deadbolt.

Bolt does not extend or retract smoothly

- a. Bolt and strike are misaligned, see above.
- b. Check the backset of door relative to adjustments already made to bolt.
- c. Verify proper door preparation and re-bore holes that are too small or misaligned.
- d. Verify touchscreen wire harness is routed correctly (begin with installation step 4).

Touchscreen numerics are scrolling

Remove interior lock and check to ensure that the wire harness lies flat against the back recessed area and is properly routed (begin with installation step 4).

FCC:**Class B Equipment**

This equipment has been tested and found to comply with the limits for a Class B digital device, pursuant to Part 15 of the FCC Rules. These limits are designed to provide reasonable protection against harmful interference in a residential installation. This equipment generates, uses, and can radiate radio frequency energy and, if not installed and used in accordance with the instructions, may cause harmful interference to radio communications. However, there is no guarantee that interference will not occur in a particular installation. If this equipment does cause harmful interference to radio or television reception, which can be determined by turning the equipment off and on, the user is encouraged to try to correct the interference by one or more of the following measures:

- Reorient or relocate the receiving antenna.
- Increase the separation between the equipment and receiver.
- Connect the equipment into an outlet on a circuit different from that to which the receiver is connected.
- Consult the dealer or an experienced radio/TV technician for help.

Warning: Changes or modifications to this device, not expressly approved by ASSA ABLOY Residential Group could void the user's authority to operate the equipment.

Industry Canada:

This Class A digital apparatus meets all requirements of the Canadian Interference Causing Equipment Regulations.

Cet appareillage numérique de la classe A répond à toutes les exigences de l'interférence canadienne causant des règlements d'équipement.



Product Support Tel 1-855-213-5841 • www.yalehome.com

“Andersen” is a registered trademark of Andersen Corporation.

Yale® is a registered trademark ASSA ABLOY Residential Group

Copyright © 2020, Andersen Corporation and ASSA ABLOY Residential Group

All rights reserved.

Reproduction in whole or in part without the express written permission of Andersen Corporation and ASSA ABLOY Residential Group is prohibited.